

## Leading the Green Initiatives

Marine, Offshore and Industrial  
Green Lighting Solutions



Designed & Trademarked in Singapore

Scan the QR Code to  
access our catalogue

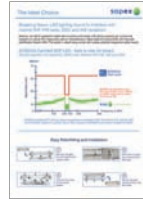


[sop-led.com](http://sop-led.com)

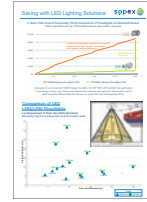
## Table of Contents



**About Us**  
Page 6



**The Ideal Choice**  
Page 7



**Saving with SOPEX LED**  
Page 8

## SOPEX - Explosion Proof Lights

### Fluorescent Explosion Proof Lights



**SXCF Series**  
Page 9

### LED Explosion Proof Lights



**SXCL Series**  
Page 11



**SXF80 Series**  
Page 13



**SXPL Series**  
Page 16

## SOP - Outdoor Lights

### LED Pendant Lights



**LGC Series**  
Page 18



**LGC Series (30W)**  
Page 19

### LED Wall Lights



**LGW Series**  
Page 20



**LGB Series**  
Page 21



**LGW Series (30W)**  
Page 22



**LGB Series (30W)**  
Page 23

## LED Floodlights



**LF60 1 Series  
(30W/56W)**  
Page 24



**LF60 1 Series  
Boat Deck Light**  
Page 26



**LF60 2 Series**  
Page 27



**LF60 3 Series**  
Page 28



**LF60 4 Series**  
Page 29



**LF90 1 Series**  
Page 30



**LF90 2 Series**  
Page 31



**LF90 4 Series**  
Page 32



**FL 80 Series**  
Page 33



**FL 160 Series**  
Page 34

## LED Outdoor Ceiling Lights



**LWS Series  
Watertight Luminaire**  
Page 35



**LWS Series (Lite)  
Watertight Luminaire**  
Page 38



**LWE Series  
Watertight Luminaire**  
Page 41



**LWE Series (Lite)  
Watertight Luminaire**  
Page 43



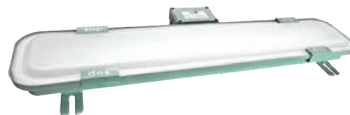
**LWJ Series  
Watertight Luminaire**  
Page 45



**LWJ Series (Lite)  
Watertight Luminaire**  
Page 48



**LWM Series (IEC)  
Watertight Linear Luminaire**  
Page 51



**LWM Series (JIS)  
Watertight Linear Luminaire**  
Page 55



**AT Series  
Airtight Luminaire**  
Page 58

## LED Portable Work Lights



**LGP Series**  
Page 59



**LGP Series (30W)**  
Page 60

## Rechargeable LED Portable Lights



**MX3 Series**  
Page 61



**MX5 Series**  
Page 62



**MS3 Series**  
Page 63

## SOP - Indoor Lights

### LED Panel Lights



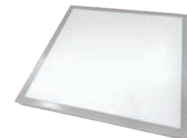
**PL 353353 Series**  
IP22 / IP44\*  
Page 64



**PL 625257 Series**  
IP22 / IP44\*  
Page 65



**PL 625625 Series**  
IP22 / IP44\*  
Page 66



**DAMPA Series**  
Page 67

\*Higher IP rating is suitable for outdoor usage too.

## LED Indoor Ceiling Lights



**RC Series**  
Recessed Luminaire  
Page 68



**SC Series**  
Surface Luminaire  
Page 71



**LNS Series**  
Surface Luminaire  
Page 74



**GL Series**  
Kitchen Luminaire IP55\*  
Page 76

\*Higher IP rating is suitable for outdoor usage too.

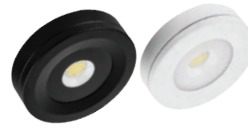
## LED Downlights



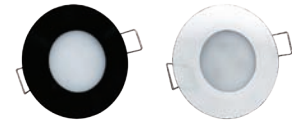
**LDAS Series  
Swing Downlight**  
Page 78



**LDAF Series  
Downlight**  
Page 79



**SL Series Mini  
Surface Downlight**  
Page 80



**DC Series Mini  
Recessed Downlight**  
Page 81



**LDDS Series (8W)  
Fire Rated Downlight**  
Page 82

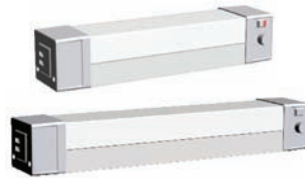


**LDDF Series (13W/16W/20W)  
Downlight**  
Page 83

## Other LED Indoor Lights



**BL Series  
Berth Light**  
Page 86



**BL Series (4W/8W)  
Berth Light**  
Page 87



**CL55A Series  
Flexible Chart Table Light**  
Page 89

## SOP - Retrofitting Solutions

### LED Module & Linear Module



**L Series**  
Page 90



**LM Series**  
Page 91

## SOP Lite - Outdoor Lights

### Rechargeable LED Portable Light Towers



**WLT140 Series**  
Page 92



**WLT230 Series**  
Page 93



**WLT310 Series**  
Page 94

### Rechargeable LED Portable Lights



**WPS360 Series**  
Portable Work Light  
Page 95



**WPT360 Series**  
Remote Controlled Pan-Tilt Light  
Page 96

## SOP Lite - Indoor Lights

### LED High Bay Lights



**LHB Series**  
Page 97



With over a decade of experience and technical know-how, SOP (Save Our Planet) places emphasis in the design and development of ideal LED solutions- providing green and innovative energy efficient technologies and meeting demands of the harsh Marine environment at the same time. Missioned to “Save our Planet”, SOP is focused on creating innovative, reliable and quality lights to lead the Green Initiatives.

LED optimizes energy consumption as compared to conventional lighting, reduces maintenance through improved durability and allows great savings to one’s electricity consumption.

Selecting the right LED lighting for your applications remains a challenge for many owners, facilities managers or buyers. Most of the consumers are used to the traditional fluorescent lamps, incandescent bulbs or even the high intensity discharge lamps, available in fixed wattage with similar lumen output, similar lamp service life, standard lamp bases and similar conventional housing.

SOP pledges to deliver the highest-quality range of reliable LED lighting, allowing you to maximise your investment in operations and reducing your maintenance needed.

Be it a new vessel or an upgrade, “Going Green” is one of the ways you can amortize your investment within 1.5-2.5 years.



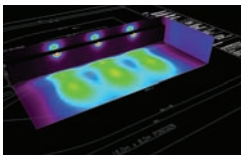
#### **Design Support**

A good design is key to any lighting. With our technical know-how and in-house R&D capabilities, we are capable of LED engine design, Control hardware / software development, luminaire, electronic, optical and mechanical design.



#### **Quality Component Integration**

We make it a point to understand our clients’ requirements and will be able to support in terms of: Selecting suitable components to enhance product’s efficiency and effectiveness, Tailoring products to customer’s specific needs, adhering to environmental, safety and performance standards and the continuous support in the supply of components, after sales service and product training.



#### **Lux Calculation**

We will provide complimentary lux calculation for all initial stages of planning/ design up to completion. We produce summary reports that states light levels, what luminaries to use etc. Information provided are verified by real life light measurements and will give you an accurate simulation.



#### **Product demonstration**

We will be keen to conduct a brief product introduction at your office for our range of lightings. This will allow the contractors/ end-users to take a look at the quality and performance of the product prior to specification or purchase. Samples can also be given for further review purposes.



#### **Mock up**

The team will be able to provide mock-ups prior to committing on the whole project. This allows the contractors/ end-users to be guaranteed that the lightings will perform equivalently on site. Based on the project requirements, we can install a small section of the lighting equipment on a provided mock up area. The contractors/ end-users can then evaluate the mock up and make any necessary amendments or adjustments before embarking on the project.



#### **Installation service**

Our installation team is made up of engineers and sub-contractors trained and experienced in complete lighting system installation providing you with quality service and a worry-free experience. It is crucial that the products are installed to abide by SOP’s standards as well as local building and electrical regulations. A well-installed system will ensure a longer service life and better performance.



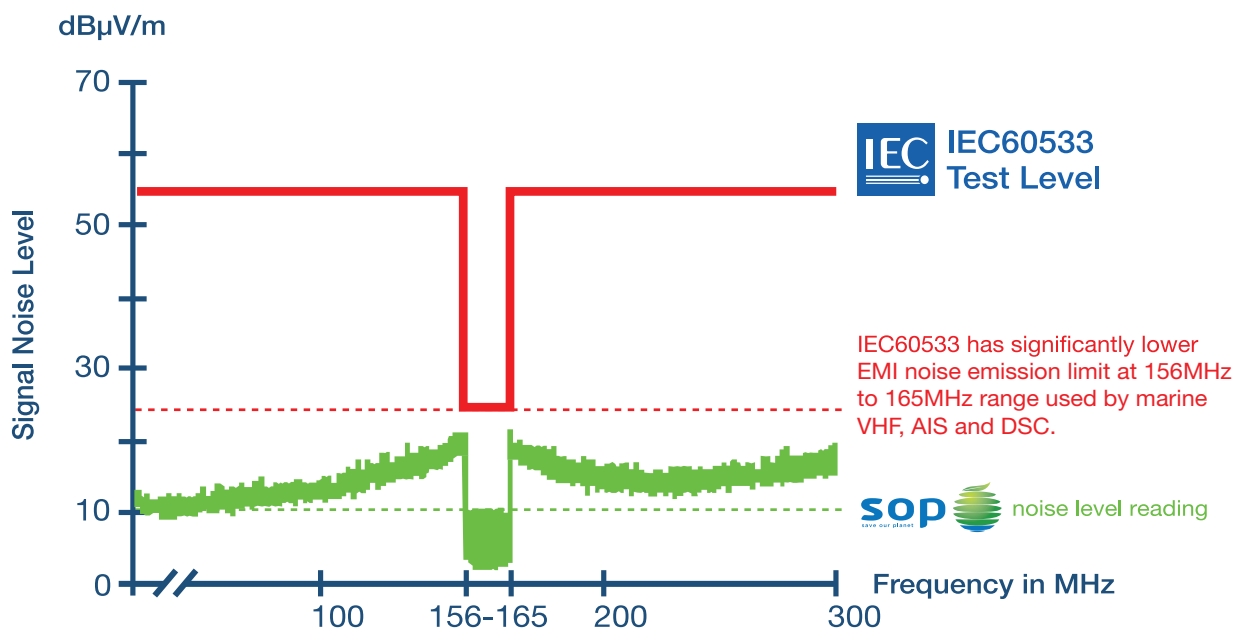
#### **Extended warranty**

Extended warranty is available upon request, we look forward to ensuring your product is guaranteed to work for its longest service life possible.

## Breaking News: LED lighting found to interfere with marine VHF-FM radio, DSC and AIS reception

Recently, the USCG published a safety alert cautioning that certain LED lighting onboard can compromise reception on marine VHF frequencies used for radiotelephone, Digital Selective Calling (DSC) and Automatic Identification System (AIS). This results in vessel losing contact and creates potential navigational safety hazard.

## IEC60533 Certified SOP LED - Safe to Use On-board Electromagnetic Compatibility (EMC) with Marine VHF-FM, AIS and DSC



IEC60533 certified SOP LEDs are electromagnetically compatible (EMC) with Marine VHF, AIS and DSC communication systems to prevent marine radio frequency interference and ensure navigational safety.

## Easy Retrofitting and Installation



- 1 Remove the gear tray and disconnect supply cable



- 2 Drill holes on gear tray to secure the lamp dip

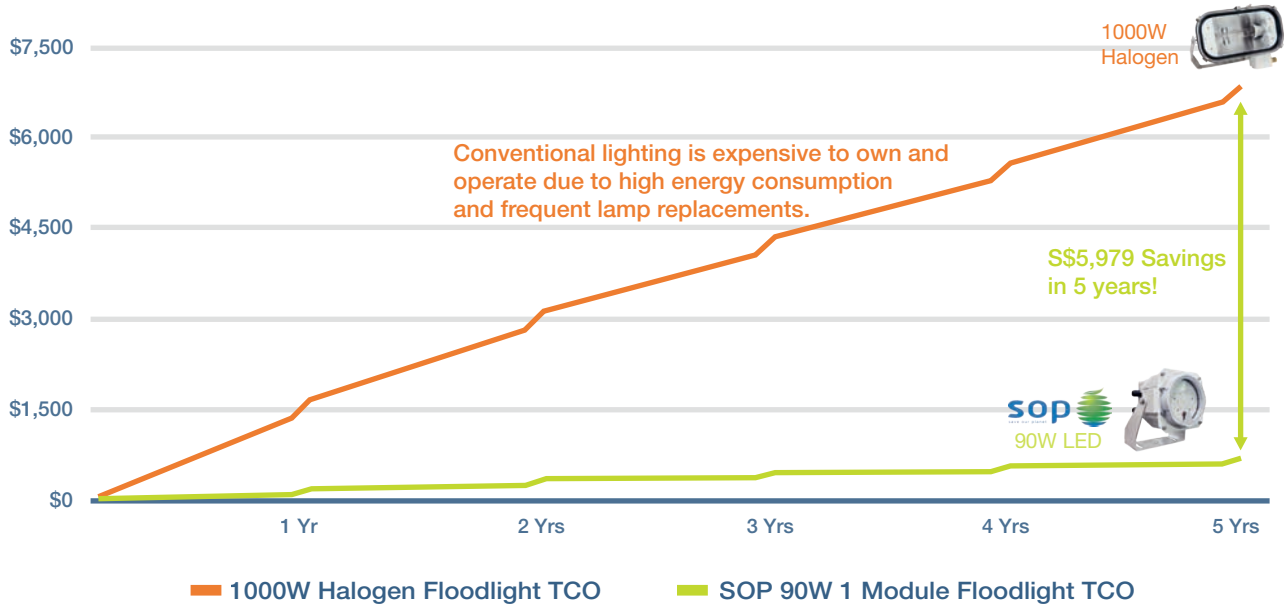


- 3 Connect the wires to the power supply



- 4 Secure the gear tray and firmly lock the cover

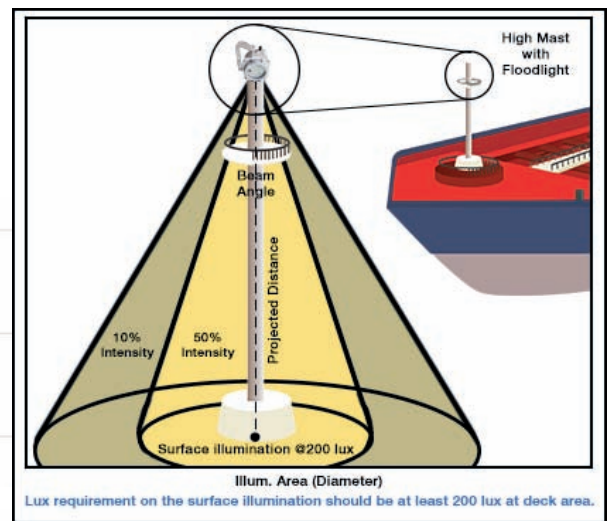
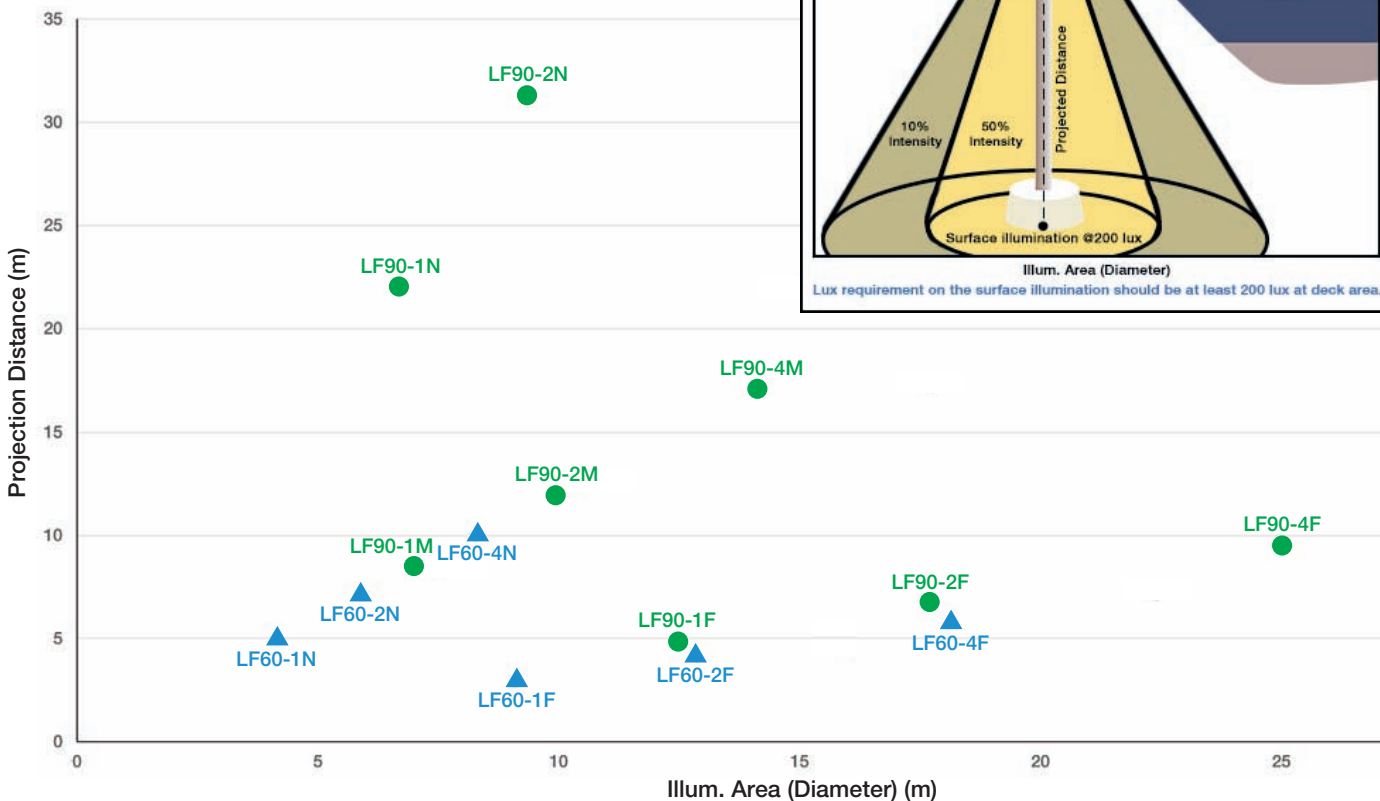
## 5 Years Total Cost of Ownership (TCO) Comparison of Floodlights on Newbuild Vessel (12hrs operations per day, TCO includes annual depreciation expense)



Compared to a conventional 1000W Halogen floodlight, the SOP 90W LED floodlight has significantly lower energy running cost, lower annual depreciation expense and zero bulb replacement cost to yield immediate ROI and \$5,979 savings in 5 years Total Cost of Ownership (TCO).

## Comparison of LED LF60/LF90 Floodlights

Lux Requirement at Deck Area Onboard Vessel  
(Mounting height to achieve 200 lux & illumination area)



Legend	
▲	LF60 Series
●	LF90 Series

# EX-PROOF FLUORESCENT TUBULAR LIGHT FITTING

## SXCF Series




### TECHNICAL INFORMATION

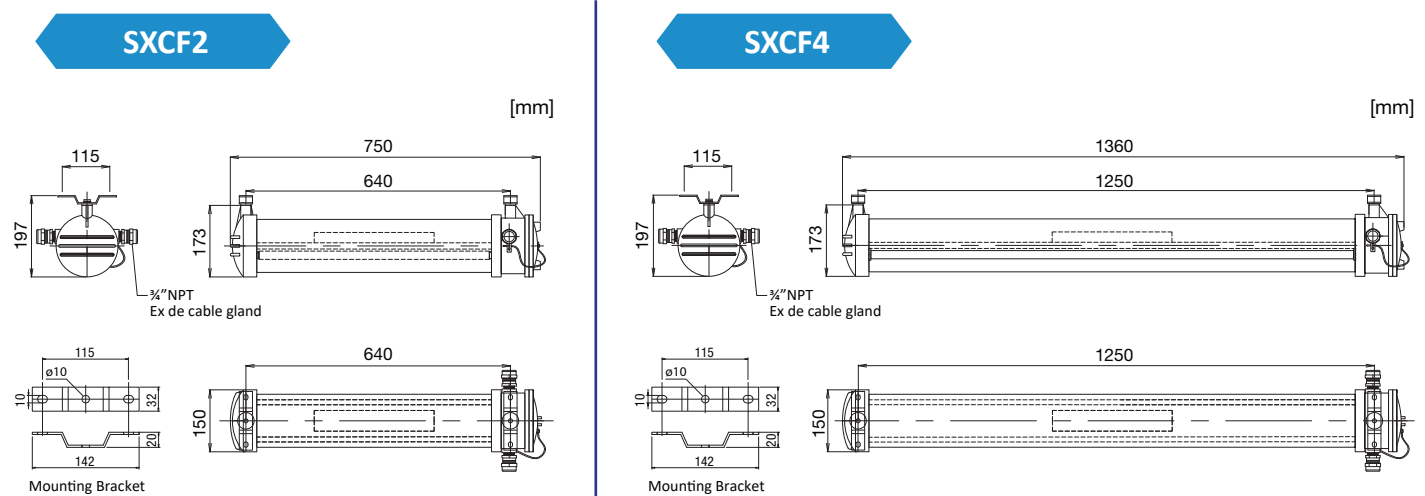
<b>Certification</b>	ATEX and IECEx approvals for Zones 1/2 & 21/22 applications Ex db IIC T6 Gb and Ex tb IIIC T85°C Db IP66 Ingress Protection
<b>Housing</b>	Aluminium alloy housing with anti-corrosion powder coating RAL5002 Ultramarine blue colour Options for glass or polycarbonate diffuser
<b>Connection</b>	3/4" NPT Ex de cable gland for cables with steel wire, aluminium, braided and tape armour. Supports cable diameter from 11.5mm to 16mm Option for additional second cable gland for emergency power input
<b>EMC</b>	IEC 60533 electromagnetic compatibility to all maritime vessels and offshore MDUs
<b>Emergency Lighting</b>	Optional emergency type luminaire includes 3hrs battery backup for sustained emergency lighting on one fluorescent tube only Maintained and non-maintained modes are supported
<b>Warranty</b>	1 year warranty

## CERTIFICATIONS

ATEX Directive (2014/34/EU)  
INERIS 20ATEX0008X  
IECEX INE 20.0007X

 II 2 GD  
Ex db IIC T6 Gb  
Ex tb IIIC T85°C Db

## MEASUREMENTS



## ORDER CODES

BH Code	IMPA No.	Diffuser	Main Voltage	Power	Ambient Temp (Ta)	Weight
CLSXCF215PA	-	Polycarbonate	100V - 240V AC	1x18W	-20°C ~ +45°C	5.2kg
CLSXCF215PAB	-	Polycarbonate	100V - 240V AC	1x18W	0°C ~ +45°C	6.3kg
CLSXCF225PA	-	Polycarbonate	100V - 240V AC	2x18W	-20°C ~ +45°C	5.3kg
CLSXCF225PAB	-	Polycarbonate	100V - 240V AC	2x18W	0°C ~ +45°C	6.4kg
CLSXCF415PA	-	Polycarbonate	100V - 240V AC	1x36W	-20°C ~ +40°C	7.6kg
CLSXCF415PAB	-	Polycarbonate	100V - 240V AC	1x36W	0°C ~ +40°C	8.7kg
CLSXCF425PA	-	Polycarbonate	100V - 240V AC	2x36W	-20°C ~ +40°C	7.7kg
CLSXCF425PAB	-	Polycarbonate	100V - 240V AC	2x36W	0°C ~ +40°C	8.8kg
CLSXCF215GA	-	Glass	100V - 240V AC	1x18W	-20°C ~ +55°C	8.3kg
CLSXCF215GAB	-	Glass	100V - 240V AC	1x18W	0°C ~ +55°C	9.4kg
CLSXCF225GA	-	Glass	100V - 240V AC	2x18W	-20°C ~ +55°C	8.4kg
CLSXCF225GAB	-	Glass	100V - 240V AC	2x18W	0°C ~ +55°C	9.5kg
CLSXCF415GA	-	Glass	100V - 240V AC	1x36W	-20°C ~ +55°C	13.6kg
CLSXCF415GAB	-	Glass	100V - 240V AC	1x36W	0°C ~ +55°C	14.7kg
CLSXCF425GA	-	Glass	100V - 240V AC	2x36W	-20°C ~ +55°C	13.7kg
CLSXCF425GAB	-	Glass	100V - 240V AC	2x36W	0°C ~ +55°C	14.8kg

\*Type number ending with "B" denotes emergency type luminaire with 3hr battery backup for maintained emergency lighting on one fluorescent tube. Maintained emergency lighting on all fluorescent tubes is also supported when connected to both normal mains and emergency power supplies.

# EX-PROOF LED TUBULAR LIGHT FITTING

## SXCL Series



### TECHNICAL INFORMATION

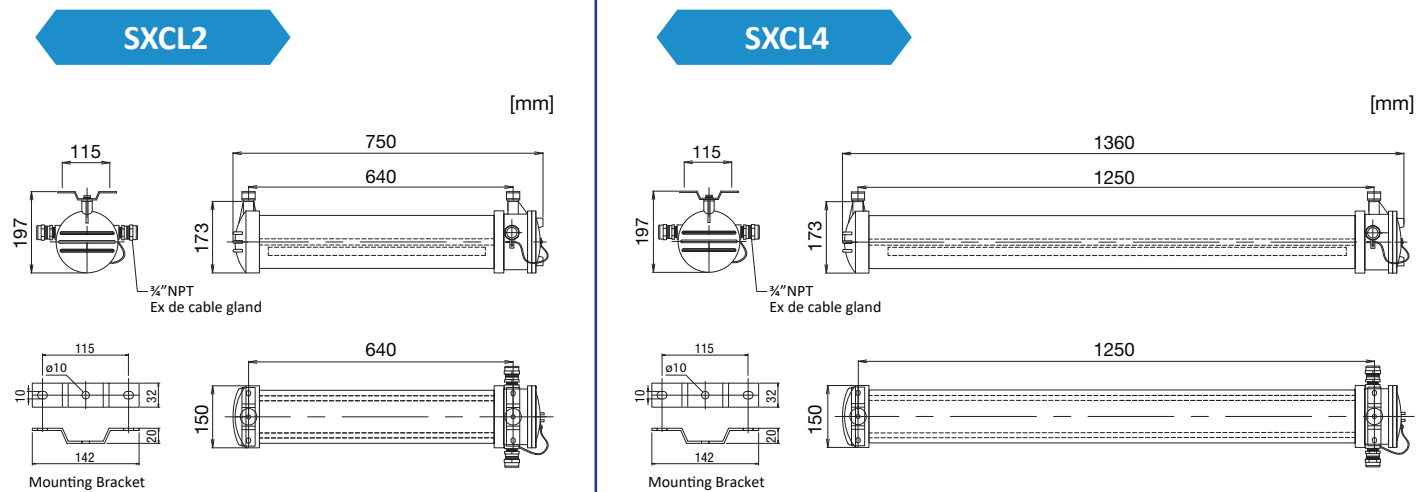
<b>Certification</b>	ATEX and IECEx approvals for Zones 1/2 & 21/22 applications Ex db IIC T6 Gb and Ex tb IIIC T85°C Db IP66 Ingress Protection
<b>Housing</b>	Aluminium alloy housing with anti-corrosion powder coating RAL5002 Ultramarine blue colour Options for glass or polycarbonate diffuser
<b>Electric</b>	Integrated ACIC light engine (AC100V or AC240V options) Power factor >0.93
<b>Lifespan</b>	Ultra-long LED service life of 100,000 hours
<b>Connection</b>	¾" NPT Ex de cable gland for cables with steel wire, aluminium, braided and tape armour. Supports cable diameter from 11.5mm to 16mm Option for additional second cable gland for emergency power input
<b>Beam Angle</b>	158°
<b>EMC</b>	IEC 60533 electromagnetic compatibility to all maritime vessels and offshore MDUs
<b>Emergency Lighting</b>	Optional emergency type luminaire includes 3hrs battery backup for sustained emergency lighting using secondary LED light source Maintained and non-maintained modes are supported

## CERTIFICATIONS

ATEX Directive (2014/34/EU)  
INERIS 20ATEX0008X  
IECEX INE 20.0007X

 II 2 GD  
Ex db IIC T6 Gb  
Ex tb IIIC T85°C Db

## MEASUREMENTS



Ideal Replacement:



## ORDER CODES

BH Code	IMPA No.	Diffuser	Main Voltage	Power	CCT	Ambient Temp (Ta)	System Lumen	Weight
CLSXL215PA1	792106	Polycarbonate	100V - 120V AC	1x12.5W	5000K	-20°C ~ +45°C	970lm	5.6kg
CLSXL225PA1	792107	Polycarbonate	100V - 120V AC	2x12.5W	5000K	-20°C ~ +45°C	1940lm	5.7kg
CLSXL415PA1	792114	Polycarbonate	100V - 120V AC	1x24W	5000K	-20°C ~ +40°C	1940lm	8.6 kg
CLSXL425PA1	792115	Polycarbonate	100V - 120V AC	2x24W	5000K	-20°C ~ +40°C	3880lm	8.7kg
CLSXL215PA2	792108	Polycarbonate	220V - 240V AC	1x12.5W	5000K	-20°C ~ +45°C	970lm	5.6kg
CLSXL215PA2B	-	Polycarbonate	220V - 240V AC	1x12.5W	5000K	0°C ~ +45°C	970lm	6.6kg
CLSXL225PA2	792109	Polycarbonate	220V - 240V AC	2x12.5W	5000K	-20°C ~ +45°C	1940lm	5.7kg
CLSXL225PA2B	-	Polycarbonate	220V - 240V AC	2x12.5W	5000K	0°C ~ +45°C	1940lm	6.7kg
CLSXL415PA2	792116	Polycarbonate	220V - 240V AC	1x24W	5000K	-20°C ~ +40°C	1940lm	8.7kg
CLSXL415PA2B	-	Polycarbonate	220V - 240V AC	1x24W	5000K	0°C ~ +40°C	1940lm	9.8kg
CLSXL425PA2	792117	Polycarbonate	220V - 240V AC	2x24W	5000K	-20°C ~ +40°C	3880lm	8.9kg
CLSXL425PA2B	-	Polycarbonate	220V - 240V AC	2x24W	5000K	0°C ~ +40°C	3880lm	9.9kg
CLSXL215GA1	792110	Glass	100V - 120V AC	1x12.5W	5000K	-20°C ~ +55°C	970lm	8.7kg
CLSXL225GA1	792111	Glass	100V - 120V AC	2x12.5W	5000K	-20°C ~ +55°C	1940lm	8.8kg
CLSXL415GA1	792118	Glass	100V - 120V AC	1x24W	5000K	-20°C ~ +55°C	1940lm	14.7kg
CLSXL425GA1	792119	Glass	100V - 120V AC	2x24W	5000K	-20°C ~ +55°C	3880lm	14.9kg
CLSXL215GA2	792112	Glass	220V - 240V AC	1x12.5W	5000K	-20°C ~ +50°C	970lm	8.7kg
CLSXL215GA2B	-	Glass	220V - 240V AC	1x12.5W	5000K	0°C ~ +50°C	970lm	9.7kg
CLSXL225GA2	792113	Glass	220V - 240V AC	2x12.5W	5000K	-20°C ~ +50°C	1940lm	8.8kg
CLSXL225GA2B	-	Glass	220V - 240V AC	2x12.5W	5000K	0°C ~ +50°C	1940lm	9.8kg
CLSXL415GA2	792123	Glass	220V - 240V AC	1x24W	5000K	-20°C ~ +55°C	1940lm	14.7kg
CLSXL415GA2B	-	Glass	220V - 240V AC	1x24W	5000K	0°C ~ +55°C	1940lm	15.8kg
CLSXL425GA2	792124	Glass	220V - 240V AC	2x24W	5000K	-20°C ~ +55°C	3880lm	14.9kg
CLSXL425GA2B	-	Glass	220V - 240V AC	2x24W	5000K	0°C ~ +55°C	3880lm	15.9kg

\*Type number ending with "B" denotes emergency type luminaire with 3hr battery backup for sustained emergency lighting.  
Maintained emergency lighting is also supported when luminaire is connected to both normal mains and emergency power supplies.

# EX-PROOF LED FLOODLIGHT

## SXF80 Series

- ✓ **COMPACT**
- ✓ **ROBUST**
- ✓ **LIGHTWEIGHT**
- ✓ **VIBRATION-PROOF**



### TECHNICAL INFORMATION

<b>Certification</b>	ATEX and IECEx approvals certified by BV and ClassNK for Zones 1/2 & 21/22 applications Ex db eb op is IIC T6/T5/T4 Gb and Ex tb op is IIIC T80°C/T100°C/T135°C Db IP66 and IP67 Ingress Protection IK08 Impact Protection
<b>Housing</b>	Marine grade seawater resistant aluminium alloy body with anti-corrosion powder coating SUS316 stainless steel mounting bracket, protection guard and external fasteners RAL5002 Ultramarine blue colour
<b>Electric</b>	Integrated ACIC light engine supports dual voltage AC100V-120V/220V-240V ELV dimming support Power factor >0.99
<b>Lifespan</b>	Ultra-long LED service life of 100,000 hours @ 40°C
<b>Connection</b>	1x M20 Ex de cable gland for non-armoured cable of diameter 11mm to 15mm Option for additional and/or different size cable glands Ex e external GRP junction box with terminals up to 4mm <sup>2</sup>
<b>Beam Angle</b>	Available in both narrow and wide beams
<b>EMC</b>	IEC 60533 electromagnetic compatibility to all maritime vessels and offshore MDUs

## CERTIFICATIONS

### SXF8011

Ex II 2 GD

ATEX Directive (2014/34/EU)  
EPS 18 ATEX 1 191 X  
IECEX EPS 18.0097X

Ex db eb op is II CT6/T5 Gb  
Ex tb op is III CT80°C/T100°C Db  
 $-40^{\circ}\text{C} \leq T_{\text{amb}} \leq +40^{\circ}\text{C}/+50^{\circ}\text{C}$

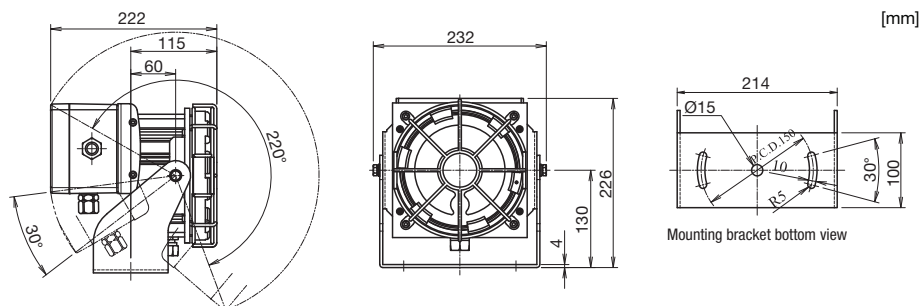
### SXF8012 / SXF8013

Ex II 2 GD

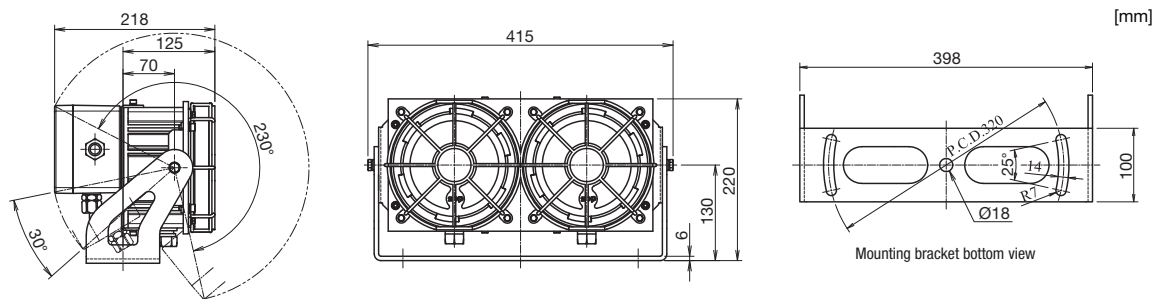
Ex db eb op is II CT6/T5/T4 Gb  
Ex tb op is III CT80°C/T100°C/T135°C Db  
 $-40^{\circ}\text{C} \leq T_{\text{amb}} \leq +30^{\circ}\text{C}/+40^{\circ}\text{C}/+50^{\circ}\text{C}$

## MEASUREMENTS

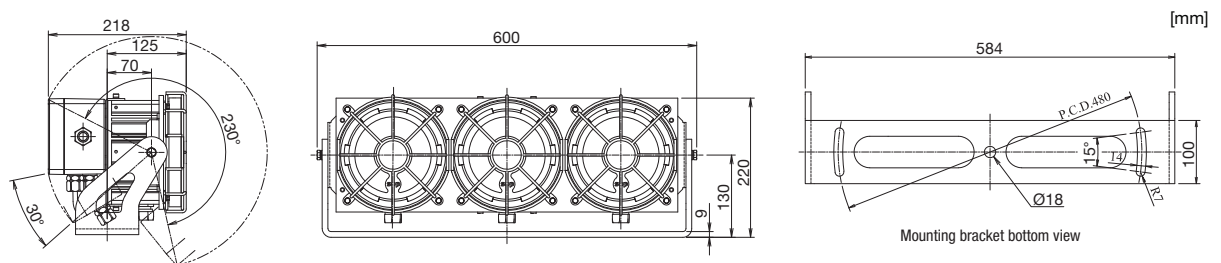
### SXF8011



### SXF8012



### SXF8013



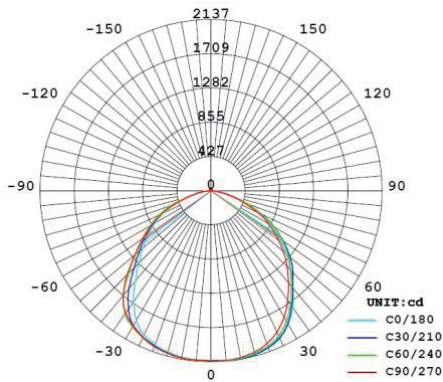
## ORDER CODES

BH Code	IMPA No.	Main Voltage	Power	CCT	Beam Angle	System Lumen	Peak Candlepower	Weight
CIGLASXF8011W	791845	100V - 120V AC / 220V - 240V AC	78W	5000K	108°	6000lm	2000cd	5.8Kg
CIGLASXF8011N	791865	100V - 120V AC / 220V - 240V AC	78W	5000K	36°	5680lm	7500cd	6.0Kg
CIGLASXF8012W	791875	100V - 120V AC / 220V - 240V AC	156W	5000K	108°	12000lm	4000cd	11.5Kg
CIGLASXF8012N	791880	100V - 120V AC / 220V - 240V AC	156W	5000K	36°	11800lm	16000cd	11.7Kg
CIGLASXF8013W	791885	100V - 120V AC / 220V - 240V AC	234W	5000K	108°	17100lm	6400cd	17.0Kg
CIGLASXF8013N	791925	100V - 120V AC / 220V - 240V AC	234W	5000K	36°	16900lm	22000cd	17.3Kg

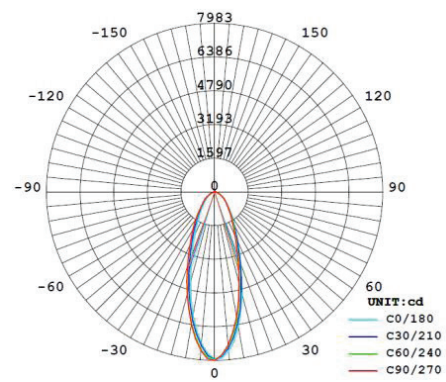
\*\* Optional DC24V

## PHOTOMETRIC DATA

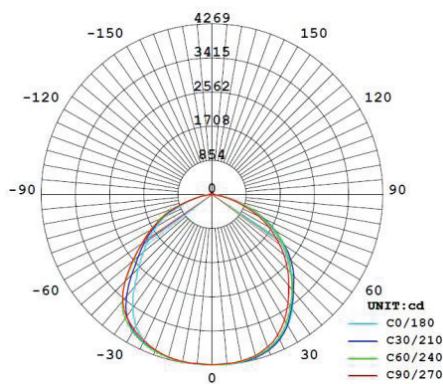
**SXF8011W**



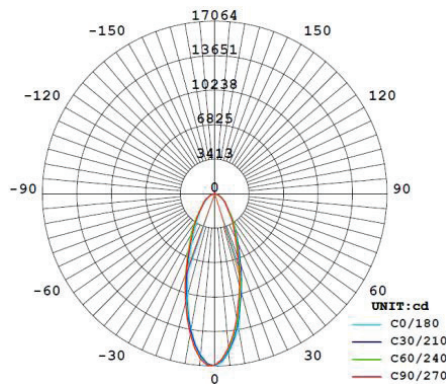
**SXF8011N**



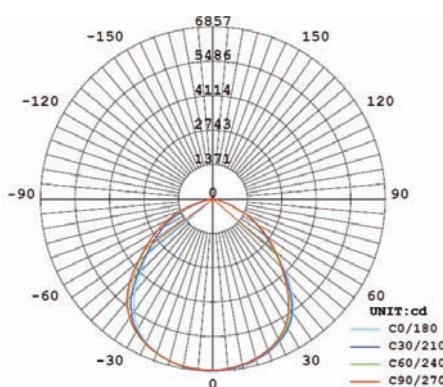
**SXF8012W**



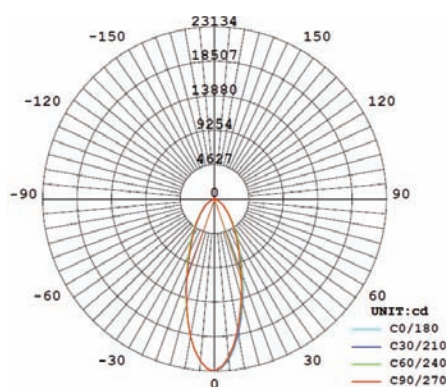
**SXF8012N**



**SXF8013W**



**SXF8013N**



# EX-PROOF LED PENDANT LIGHT

## SXPL Series




### TECHNICAL INFORMATION

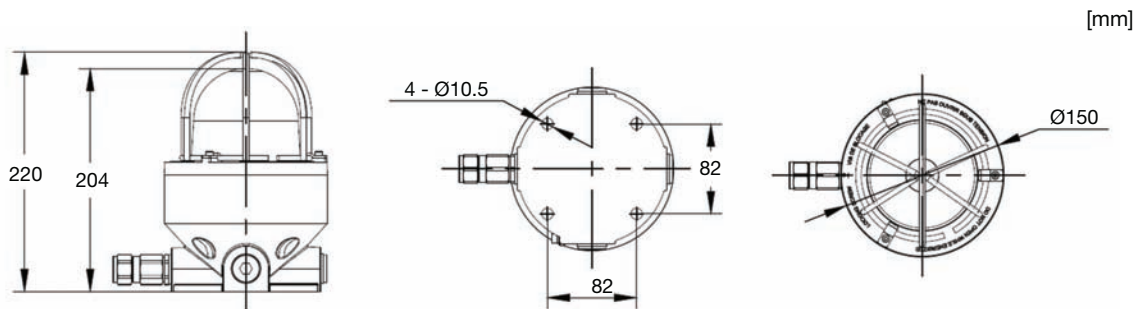
<b>Certification</b>	ATEX and IECEx approvals certified by CSA and Sira for Zones 1/2 & 21/22 applications EX db IIC T6 Gb and EX tb IIIC T85°C Db IP66 Ingress Protection
<b>Housing</b>	Marine grade seawater resistant aluminium alloy body with anti-corrosion powder coating Borosilicate glass diffuser Stainless steel protection guard and external fasteners RAL5002 Ultramarine blue colour
<b>Electric</b>	AC100V, AC240V or DC24V options Power factor >0.97
<b>Lifespan</b>	Long LED service life of 50,000 hours
<b>Connection</b>	4x M20 cable entries Supplied with 1x M20 Ex de cable gland for 11.5mm to 16mm diameter cables with steel wire, aluminium, braided and tape armour, and 3x Ex de stopper plugs Option for additional cable glands or glands for non-armoured cable
<b>Beam Angle</b>	160°
<b>EMC</b>	IEC 60533 electromagnetic compatibility to all maritime vessels and offshore MDUs

## CERTIFICATIONS

ATEX Directive (2014/34/EU)  
 CSANe 21ATEX1065X  
 IECEx CSAE 21.0015X

 II 2 GD  
 EX db IIC T6 Gb  
 EX tb IIIC T85°C Db

## MEASUREMENTS



## ORDER CODES

Ideal Replacement: 

BH Code	IMPA No.	Main Voltage	Power	CCT	Ambient Temp (Ta)	System Lumen
CLSXPL13A2	792105	220V - 240V AC	13W	5000K	-25°C ~ +50°C	900lm
CLSXPL12A1	792104	100V - 120V AC	12W	5000K	-25°C ~ +50°C	900lm
CLSXPL10D	792103	24V DC	10W	5000K	-25°C ~ +50°C	900lm

# LED PENDANT LIGHT



## LGC SERIES

3 years warranty



### Key Features

- Complete solution with heat sink, driver and polycarbonate diffuser
- Triac dimming compatible (220-240VAC & 100V-120VAC only)
- Vibration-resistant
- Alternative to 100W incandescent bulb
- Energy savings of up to 90% compared to 100W incandescent bulb
- Long service life of 50,000 hours L70 @ 45°C (Ta)
- Safety, EMC and IEC compliance



### Application

Engine rooms, Low visibility areas, Decks, Warehouses, Yards

### Material

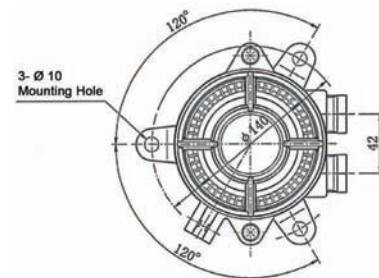
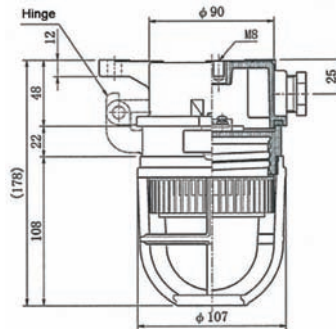
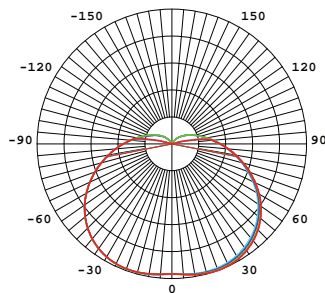
Marine grade aluminium alloy with powder coating and PBT fiberglass reinforced body, polycarbonate diffuser and guard

### Options

Polycarbonate clear guard (PC)  
Polycarbonate red guard (PR)

### Weight

1.0Kg



[mm]

## TECHNICAL SPECIFICATIONS IP 56

- PC Denotes : Polycarbonate clear guard
- PR Denotes : Polycarbonate red guard

Ideal Replacement:



BH Code	IMPA No.	Main Voltage	Power	CCT	Beam Angle	Ambient Temp (Ta)	System Lumen
LGC13A225KPC	792092	220V - 240V AC	13W	5000K	160°	-40°C ~ +45°C	900lm
LGC13A225KPR	792095	220V - 240V AC	13W	5000K	160°	-40°C ~ +45°C	900lm
LGC12A115KPC	792070	100V - 120V AC	12W	5000K	160°	-40°C ~ +45°C	900lm
LGC12A115KPR	792094	100V - 120V AC	12W	5000K	160°	-40°C ~ +45°C	900lm
LGC10D245KPC	792069	24V DC	10W	5000K	160°	-40°C ~ +45°C	950lm
LGC10D245KPR	792093	24V DC	10W	5000K	160°	-40°C ~ +45°C	950lm

Also available in other CCT.

Due to our continuous development and product improvement policy, we reserve the rights to revise the specifications of all products without prior notice.



# LED PENDANT LIGHT



## LGC SERIES

3 years warranty



### Key Features

- Complete solution with heat sink, driver and polycarbonate diffuser
- Vibration-resistant
- Alternative to 300W incandescent bulb
- Energy savings of up to 90% compared to 300W incandescent bulb
- Long service life of 30,000 hours L70 @ 45°C (Ta)
- Safety, EMC and IEC compliance



### Application

Engine rooms, Low visibility areas, Decks, Warehouses, Yards

### Material

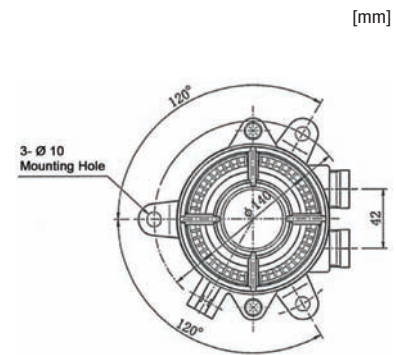
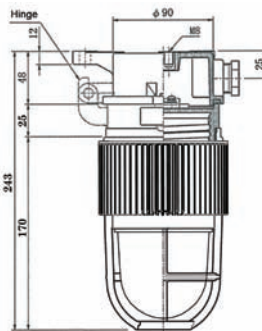
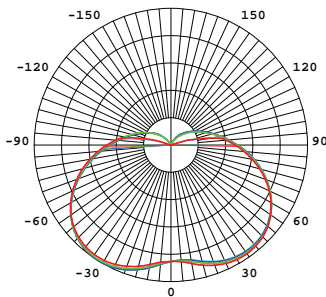
Marine grade aluminium alloy with powder coating and PBT fiberglass reinforced body, polycarbonate diffuser and guard

### Options

Polycarbonate clear guard (PC)  
Polycarbonate red guard (PR)

### Weight

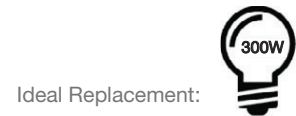
1.5Kg



## TECHNICAL SPECIFICATIONS



- PC Denotes : Polycarbonate clear guard
- PR Denotes : Polycarbonate red guard



BH Code	IMPA No.	Main Voltage	Power	CCT	Beam Angle	Ambient Temp (Ta)	System Lumen
LGC30AD25KPC	792096	100V - 240V AC/DC	30W	5000K	180°	-40°C ~ +45°C	2900lm
LGC30AD25KPR	792097	100V - 240V AC/DC	30W	5000K	180°	-40°C ~ +45°C	2900lm

Also available in other CCT.

Due to our continuous development and product improvement policy, we reserve the rights to revise the specifications of all products without prior notice.



# LED WALL LIGHT



## LGW SERIES

3 years warranty



### Key Features

- Complete solution with heat sink, driver and polycarbonate diffuser
- Triac dimming compatible (220-240VAC & 100V-120VAC only)
- Vibration-resistant
- Alternative to 100W incandescent bulb
- Energy savings of up to 90% compared to 100W incandescent bulb
- Long service life of 50,000 hours L70 @ 45°C (Ta)
- Safety, EMC and IEC compliance,



### Application

Engine rooms, Low visibility areas, Decks, Warehouses, Yards

### Material

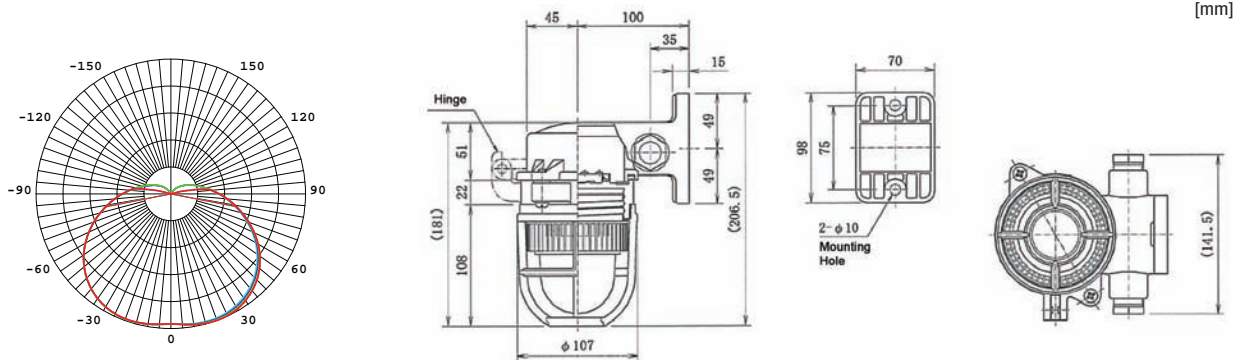
Marine grade aluminium alloy with powder coating and PBT fiberglass reinforced body, polycarbonate diffuser and guard

### Options

Polycarbonate clear guard (PC)  
Polycarbonate red guard (PR)

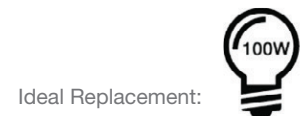
### Weight

1.0Kg



## TECHNICAL SPECIFICATIONS IP 56

- PC Denotes : Polycarbonate clear guard
- PR Denotes : Polycarbonate red guard



BH Code	IMPA No.	Main Voltage	Power	CCT	Beam Angle	Ambient Temp (Ta)	System Lumen
LGW13A225KPC	792042	220V - 240V AC	13W	5000K	160°	-40°C ~ +45°C	900lm
LGW13A225KPR	792044	220V - 240V AC	13W	5000K	160°	-40°C ~ +45°C	900lm
LGW12A115KPC	792041	100V - 120V AC	12W	5000K	160°	-40°C ~ +45°C	900lm
LGW12A115KPR	792045	100V - 120V AC	12W	5000K	160°	-40°C ~ +45°C	900lm
LGW10D245KPC	792040	24V DC	10W	5000K	160°	-40°C ~ +45°C	950lm
LGW10D245KPR	792043	24V DC	10W	5000K	160°	-40°C ~ +45°C	950lm

Also available in other CCT.

Due to our continuous development and product improvement policy, we reserve the rights to revise the specifications of all products without prior notice.



# LED WALL LIGHT



## LGB SERIES

3 years warranty



### Key Features

- Complete solution with heat sink, driver and polycarbonate diffuser
- Triac dimming compatible (220-240VAC & 100V-120VAC only)
- Vibration-resistant
- Alternative to 100W incandescent bulb
- Energy savings of up to 90% compared to 100W incandescent bulb
- Long service life of 50,000 hours L70 @ 45°C (Ta)
- Safety, EMC and IEC compliance



### Application

Engine rooms, Low visibility areas, Decks, Warehouses, Yards

### Material

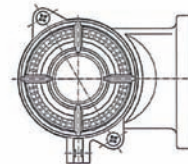
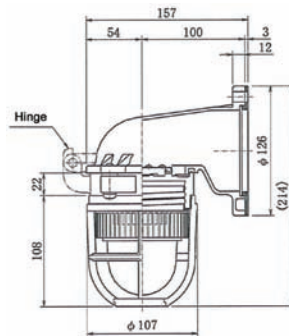
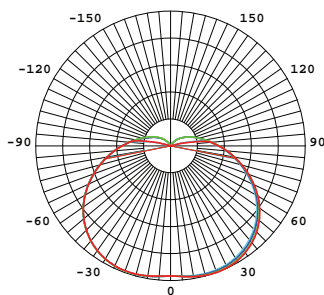
Marine grade aluminium alloy with powder coating and PBT fiberglass reinforced body, polycarbonate diffuser and guard

### Options

Polycarbonate clear guard (PC)  
Polycarbonate red guard (PR)

### Weight

1.0Kg



[mm]

## TECHNICAL SPECIFICATIONS

IP 56

- PC Denotes : Polycarbonate clear guard
- PR Denotes : Polycarbonate red guard

Ideal Replacement:



BH Code	IMPA No.	Main Voltage	Power	CCT	Beam Angle	Ambient Temp (Ta)	System Lumen
LGB13A225KPC	792048	220V - 240V AC	13W	5000K	160°	-40°C ~ +45°C	900lm
LGB13A225KPR	792063	220V - 240V AC	13W	5000K	160°	-40°C ~ +45°C	900lm
LGB12A115KPC	792047	100V - 120V AC	12W	5000K	160°	-40°C ~ +45°C	900lm
LGB12A115KPR	792050	100V - 120V AC	12W	5000K	160°	-40°C ~ +45°C	900lm
LGB10D245KPC	792046	24V DC	10W	5000K	160°	-40°C ~ +45°C	950lm
LGB10D245KPR	792049	24V DC	10W	5000K	160°	-40°C ~ +45°C	950lm

Also available in other CCT.

Due to our continuous development and product improvement policy, we reserve the rights to revise the specifications of all products without prior notice.



# LED WALL LIGHT



## LGW SERIES

3 years warranty



### Key Features

- Complete solution with heat sink, driver and polycarbonate diffuser
- Vibration-resistant
- Alternative to 300W incandescent bulb
- Energy savings of up to 90% compared to 300W incandescent bulb
- Long service life of 30,000 hours L70 @ 45°C (Ta)
- Safety, EMC and IEC compliance



### Application

Engine rooms, Low visibility areas, Decks, Warehouses, Yards

### Material

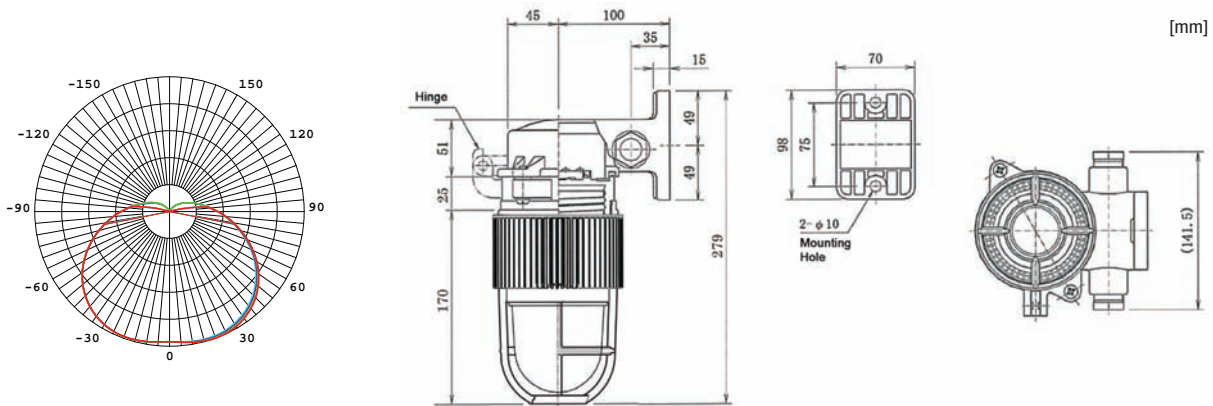
Marine grade aluminium alloy with powder coating and PBT fiberglass reinforced body, polycarbonate diffuser and guard

### Options

Polycarbonate clear guard (PC)  
Polycarbonate red guard (PR)

### Weight

1.5Kg



## TECHNICAL SPECIFICATIONS

IP 56

- PC Denotes : Polycarbonate clear guard
- PR Denotes : Polycarbonate red guard

Ideal Replacement:

BH Code	IMPA No.	Main Voltage	Power	CCT	Beam Angle	Ambient Temp (Ta)	System Lumen
LGW30AD25KPC	-	100V - 240V AC/DC	30W	5000K	180°	-40°C ~ +45°C	2900lm
LGW30AD25KPR	-	100V - 240V AC/DC	30W	5000K	180°	-40°C ~ +45°C	2900lm

Also available in other CCT.

Due to our continuous development and product improvement policy, we reserve the rights to revise the specifications of all products without prior notice.



# LED WALL LIGHT



## LGB SERIES

3 years warranty



### Key Features

- Complete solution with heat sink, driver and polycarbonate diffuser
- Vibration-resistant
- Alternative to 300W incandescent bulb
- Energy savings of up to 90% compared to 300W incandescent bulb
- Long service life of 30,000 hours L70 @ 45°C (Ta)
- Safety, EMC and IEC compliance



### Application

Engine rooms, Low visibility areas, Decks, Warehouses, Yards

### Material

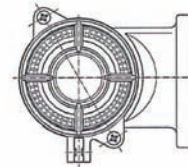
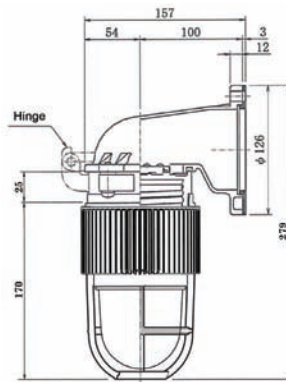
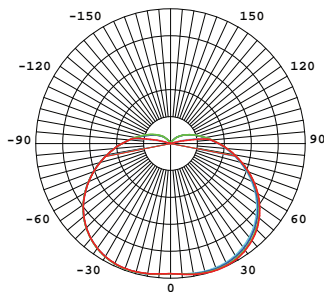
Marine grade aluminium alloy with powder coating and PBT fiberglass reinforced body, polycarbonate diffuser and guard

### Options

Polycarbonate clear guard (PC)  
Polycarbonate red guard (PR)

### Weight

1.5Kg



[mm]

## TECHNICAL SPECIFICATIONS

IP 56

- PC Denotes : Polycarbonate clear guard
- PR Denotes : Polycarbonate red guard

Ideal Replacement:



BH Code	IMPA No.	Main Voltage	Power	CCT	Beam Angle	Ambient Temp (Ta)	System Lumen
LGB30AD25KPC	792064	100V - 240V AC/DC	30W	5000K	180°	-40°C ~ +45°C	2900lm
LGB30AD25KPR	792065	100V - 240V AC/DC	30W	5000K	180°	-40°C ~ +45°C	2900lm

Also available in other CCT.

Due to our continuous development and product improvement policy, we reserve the rights to revise the specifications of all products without prior notice.



# MODULAR LED FLOODLIGHT



## LF60 1 SERIES

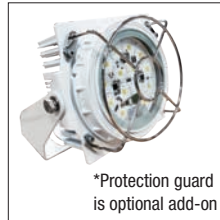
5 years warranty



Wide beam model



Narrow beam model



\*Protection guard is optional add-on

### Key Features

- Triac dimming compatible (**220V-240VAC & 100V-120VAC only**)
- Designed with reliable AC driver on board to enhance the service life
- Rapid heat-dissipating design to prolong lamp life and optimise lumen output
- Long service life of 100,000 hours @ 50°C (Ta)
- Flexible wiring, heat resistant up to 150°C
- Compact and lightweight design
- Safety, EMC and IEC compliance



### Application

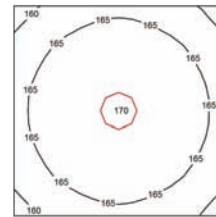
Decks, Marinas, Docks, Ports, Warehouses

### Material

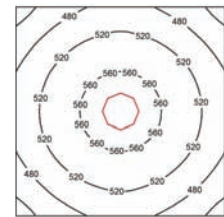
Marine grade aluminium alloy with powder coating, comes with 4mm tempered glass front cover  
Optional protection guard: SUS316 stainless steel

### Weight

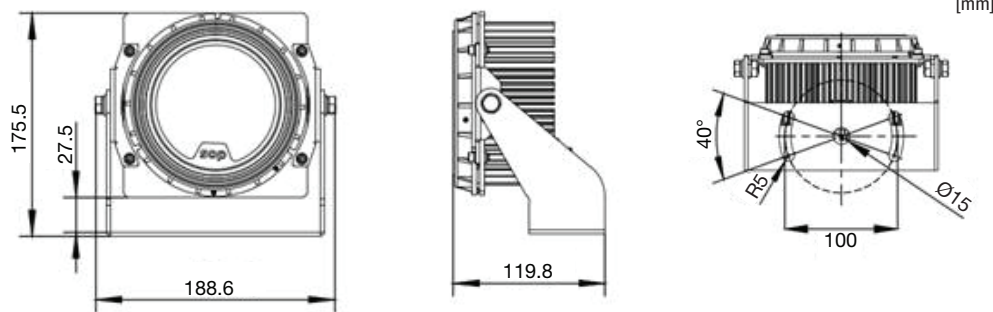
1.9Kg



Wide beam model:  
Average Lux : 166lx  
Mounting Height : 3 Meters  
Measurement Area : 1m<sup>2</sup>



Narrow beam model:  
Average Lux : 515lx  
Mounting Height : 3 Meters  
Measurement Area : 1m<sup>2</sup>



## TECHNICAL SPECIFICATIONS

IP 66

Ideal Replacement:



BH Code	IMPA No.	Main Voltage	Power	CCT	Beam Angle	Ambient Temp (Ta)	System Lumen
LF60F015KA22	791805	220V - 240V AC	56W	5000K	115°	-40°C ~ +50°C	5500lm
LF60N015KA22		220V - 240V AC	56W	5000K	45°	-40°C ~ +50°C	5400lm
LF60F015KA11	791806	100V - 120V AC	56W	5000K	105°	-40°C ~ +50°C	4500lm
LF60N015KA11		100V - 120V AC	56W	5000K	45°	-40°C ~ +50°C	4500lm
LF60F015KD24	791807	24V DC	56W	5000K	130°	-40°C ~ +50°C	4900lm
LF60N015KD24		24V DC	56W	5000K	35°	-40°C ~ +50°C	4600lm

Also available in other CCT and beam angle upon request.

Due to our continuous development and product improvement policy, we reserve the rights to revise the specifications of all products without prior notice.



# MODULAR LED FLOODLIGHT



## LF60 1 SERIES

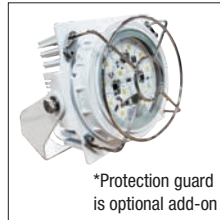
5 years warranty



Wide beam model



Narrow beam model



\*Protection guard is optional add-on

### Key Features

- Triac dimming compatible (**220V-240VAC & 100V-120VAC only**)
- Designed with reliable AC driver on board to enhance the service life
- Rapid heat-dissipating design to prolong lamp life and optimise lumen output
- Long service life of 100,000 hours @ 50°C (Ta)
- Flexible wiring, heat resistant up to 150°C
- Compact and lightweight design
- Safety, EMC and IEC compliance



### Application

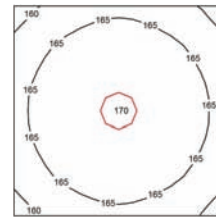
Decks, Marinas, Docks, Ports, Warehouses

### Material

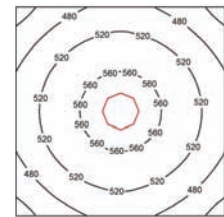
Marine grade aluminium alloy with powder coating, comes with 4mm tempered glass front cover  
Optional protection guard: SUS316 stainless steel

### Weight

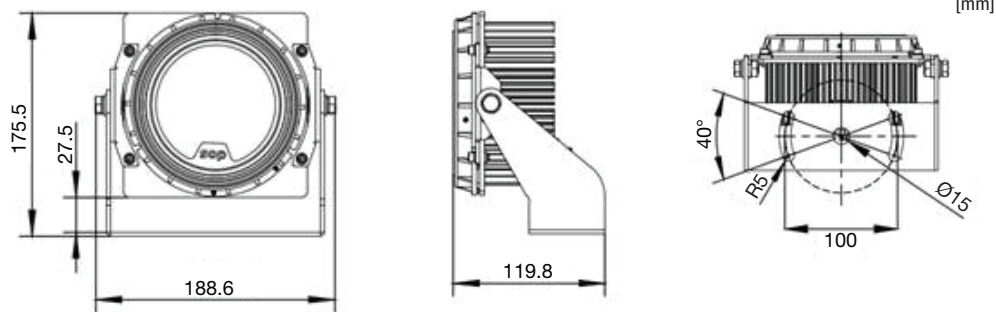
1.9Kg



Wide beam model:  
Average Lux : 166lx  
Mounting Height : 3 Meters  
Measurement Area : 1m<sup>2</sup>



Narrow beam model:  
Average Lux : 515lx  
Mounting Height : 3 Meters  
Measurement Area : 1m<sup>2</sup>



## TECHNICAL SPECIFICATIONS

IP 66

Ideal Replacement:

BH Code	IMPA No.	Main Voltage	Power	CCT	Beam Angle	Ambient Temp (Ta)	System Lumen
LF60F315KA22	-	220V - 240V AC	30W	5000K	115°	-40°C ~ +50°C	3000lm
LF60N315KA22	-	220V - 240V AC	30W	5000K	45°	-40°C ~ +50°C	2500lm
LF60F315KA11	-	100V - 120V AC	30W	5000K	105°	-40°C ~ +50°C	3000lm
LF60N315KA11	-	100V - 120V AC	30W	5000K	45°	-40°C ~ +50°C	2500lm

Also available in other CCT and beam angle upon request.

Due to our continuous development and product improvement policy, we reserve the rights to revise the specifications of all products without prior notice.



# MODULAR LED BOAT DECK LIGHT



## LF60 1 SERIES

5 years warranty



### Key Features

- Designed with reliable driver on board to enhance the service life
- Rapid heat-dissipating design to prolong lamp life and optimise lumen output
- Long service life of 100,000 hours @ 50°C (Ta)
- Flexible wiring, heat resistant up to 150°C
- Compact and lightweight design
- Safety, EMC and IEC compliance



### Application

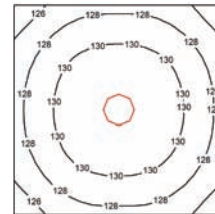
Decks, Lifeboat launching area

### Material

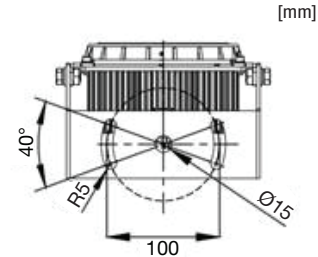
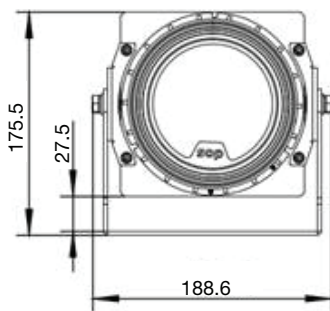
Marine grade aluminium alloy with powder coating, comes with 4mm tempered glass front cover

### Weight

1.9Kg



Wide beam model:  
Average Lux : 129lx  
Mounting Height : 3 Meters  
Measurement Area : 1m<sup>2</sup>



## TECHNICAL SPECIFICATIONS



Ideal Replacement:



BH Code	IMPA No.	Main Voltage	Power	CCT	Beam Angle	Ambient Temp (Ta)	System Lumen
LF60F015KD25	792005	24V DC	56W	5000K	130°	-40°C ~ +50°C	4900lm

Also available in other CCT and beam angle upon request.

# MODULAR LED FLOODLIGHT



## LF60 2 SERIES

5 years warranty



Wide beam model



Narrow beam model

### Key Features

- Triac dimming compatible (**220V-240VAC & 100V-120VAC only**)
- Designed with reliable AC driver on board to enhance the service life
- Rapid heat-dissipating design to prolong lamp life and optimise lumen output
- Long service life of 100,000 hours @ 50°C (Ta)
- Flexible wiring, heat resistant up to 150°C
- Compact and lightweight design
- Safety, EMC and IEC compliance



### Application

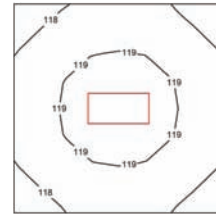
Decks, Marinas, Docks, Ports, Warehouses

### Material

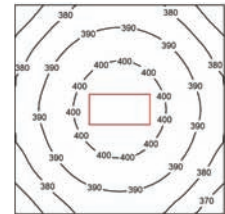
Marine grade aluminium alloy with powder coating, comes with 4mm tempered glass front cover

### Weight

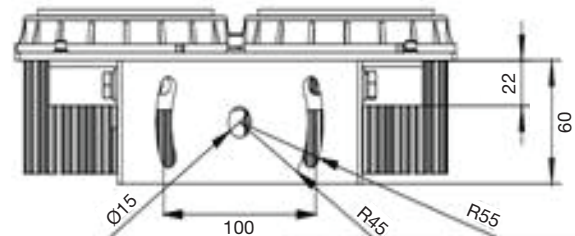
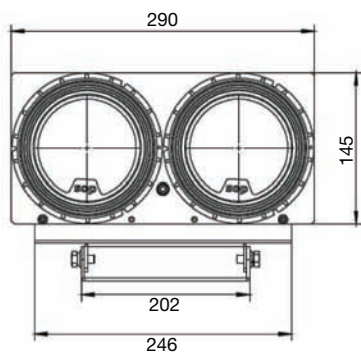
3.5Kg



Wide beam model:  
Average Lux : 119lx  
Mounting Height : 5 Meters  
Measurement Area : 1m<sup>2</sup>



Narrow beam model:  
Average Lux : 389lx  
Mounting Height : 5 Meters  
Measurement Area : 1m<sup>2</sup>



[mm]

## TECHNICAL SPECIFICATIONS IP 66

Ideal Replacement:



BH Code	IMPA No.	Main Voltage	Power	CCT	Beam Angle	Ambient Temp (Ta)	System Lumen
LF60F025KA22	791808	220V - 240V AC	112W	5000K	115°	-40°C ~ +50°C	11000lm
LF60N025KA22		220V - 240V AC	112W	5000K	45°	-40°C ~ +50°C	10800lm
LF60F025KA11	791809	100V - 120V AC	112W	5000K	105°	-40°C ~ +50°C	9000lm
LF60N025KA11		100V - 120V AC	112W	5000K	45°	-40°C ~ +50°C	9000lm
LF60F025KD24	791810	24V DC	112W	5000K	130°	-40°C ~ +50°C	9800lm
LF60N025KD24		24V DC	112W	5000K	35°	-40°C ~ +50°C	9200lm

Also available in other CCT and beam angle upon request.

Due to our continuous development and product improvement policy, we reserve the rights to revise the specifications of all products without prior notice.



# MODULAR LED FLOODLIGHT



## LF60 3 SERIES

5 years warranty



Wide beam model



Narrow beam model

### Key Features

- Triac dimming compatible (**220V-240VAC & 100V-120VAC only**)
- Designed with reliable AC driver on board to enhance the service life
- Rapid heat-dissipating design to prolong lamp life and optimise lumen output
- Long service life of 100,000 hours @ 50°C (Ta)
- Flexible wiring, heat resistant up to 150°C
- Compact and lightweight design
- Safety, EMC and IEC compliance



### Application

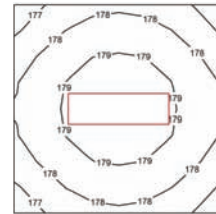
Decks, Marinas, Docks, Ports, Warehouses

### Material

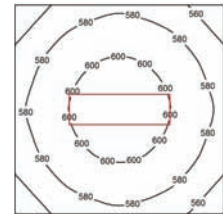
Marine grade aluminium alloy with powder coating, comes with 4mm tempered glass front cover

### Weight

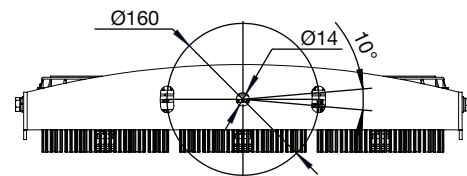
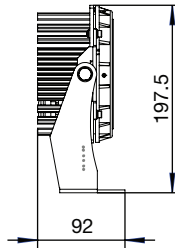
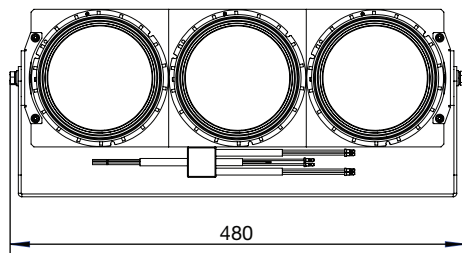
5.7Kg



Wide beam model:  
Average Lux : 177lx  
Mounting Height : 5 Meters  
Measurement Area : 1m<sup>2</sup>



Narrow beam model:  
Average Lux : 584lx  
Mounting Height : 5 Meters  
Measurement Area : 1m<sup>2</sup>



[mm]

## TECHNICAL SPECIFICATIONS



Ideal Replacement:



BH Code	IMPA No.	Main Voltage	Power	CCT	Beam Angle	Ambient Temp (Ta)	System Lumen
LF60F035KA22	-	220V - 240V AC	168W	5000K	115°	-40°C ~ +50°C	16500lm
LF60N035KA22	-	220V - 240V AC	168W	5000K	45°	-40°C ~ +50°C	16200lm
LF60F035KA11	-	100V - 120V AC	168W	5000K	105°	-40°C ~ +50°C	13500lm
LF60N035KA11	-	100V - 120V AC	168W	5000K	45°	-40°C ~ +50°C	13500lm
LF60F035KD24	-	24V DC	168W	5000K	130°	-40°C ~ +50°C	14700lm
LF60N035KD24	-	24V DC	168W	5000K	35°	-40°C ~ +50°C	13800lm

Also available in other CCT and beam angle upon request.

Due to our continuous development and product improvement policy, we reserve the rights to revise the specifications of all products without prior notice.



# MODULAR LED FLOODLIGHT



## LF60 4 SERIES

5 years warranty



Wide beam model



Narrow beam model

### Key Features

- Triac dimming compatible (**220V-240VAC & 100V-120VAC only**)
- Designed with reliable AC driver on board to enhance the service life
- Rapid heat-dissipating design to prolong lamp life and optimise lumen output
- Long service life of 100,000 hours @ 50°C (Ta)
- Flexible wiring, heat resistant up to 150°C
- Compact and lightweight design
- Safety, EMC and IEC compliance



### Application

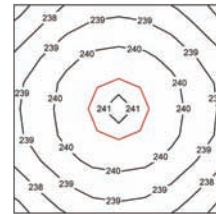
Decks, Marinas, Docks, Ports, Warehouses

### Material

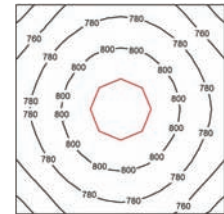
Marine grade aluminium alloy with powder coating, comes with 4mm tempered glass front cover

### Weight

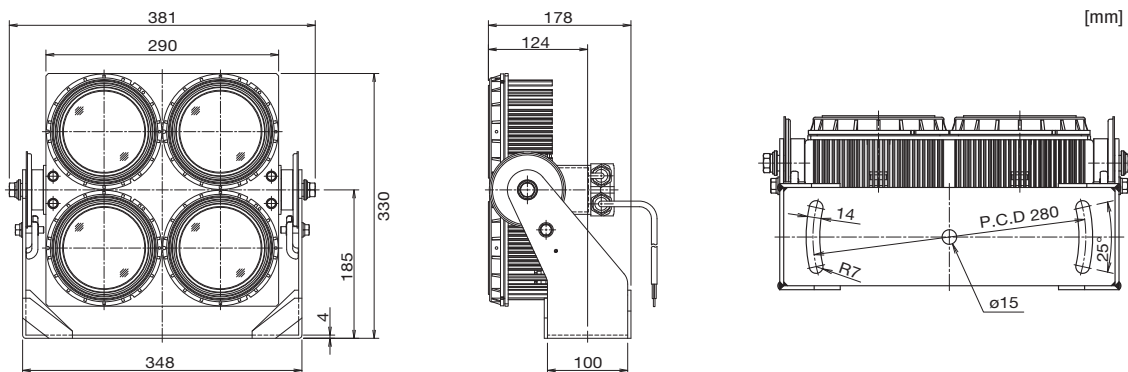
9.3Kg



Wide beam model:  
Average Lux : 239lx  
Mounting Height : 5 Meters  
Measurement Area : 1m<sup>2</sup>



Narrow beam model:  
Average Lux : 789lx  
Mounting Height : 5 Meters  
Measurement Area : 1m<sup>2</sup>



## TECHNICAL SPECIFICATIONS



Ideal Replacement:



BH Code	IMPA No.	Main Voltage	Power	CCT	Beam Angle	Ambient Temp (Ta)	System Lumen
LF60F045KA22	791815	220V - 240V AC	224W	5000K	115°	-40°C ~ +50°C	22000lm
LF60N045KA22		220V - 240V AC	224W	5000K	45°	-40°C ~ +50°C	21600lm
LF60F045KA11	791830	100V - 120V AC	224W	5000K	105°	-40°C ~ +50°C	18000lm
LF60N045KA11		100V - 120V AC	224W	5000K	45°	-40°C ~ +50°C	18000lm
LF60F045KD24	-	24V DC	224W	5000K	130°	-40°C ~ +50°C	19600lm
LF60N045KD24	-	24V DC	224W	5000K	35°	-40°C ~ +50°C	18400lm

Also available in other CCT and beam angle upon request.

Due to our continuous development and product improvement policy, we reserve the rights to revise the specifications of all products without prior notice.



# HIGH PERFORMANCE MODULAR LED FLOODLIGHT



## LF90 1 SERIES

5 years warranty



### Application

Decks, Marinas, Docks, Ports, Warehouses

### Material

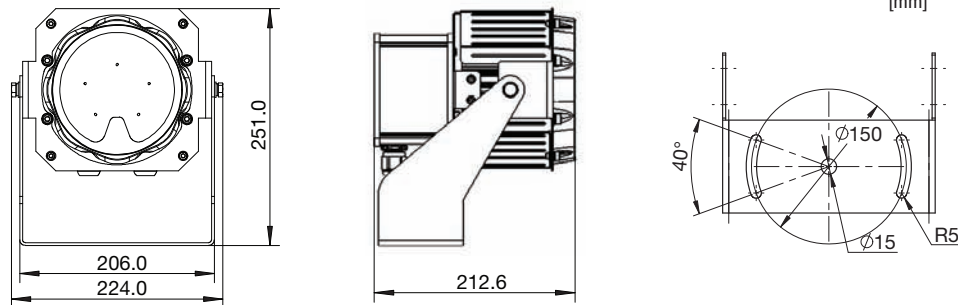
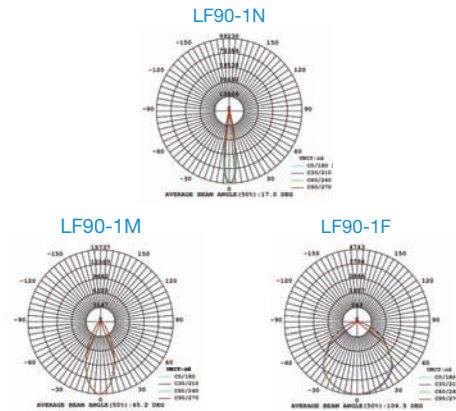
Marine grade aluminium alloy with powder coating, comes with 4mm tempered glass front cover  
Optional protection guard: SUS316 stainless steel

### Weight

4.35Kg

### Key Features

- Available in 100-240VAC
- Rapid heat-dissipating design to prolong lamp life and optimise lumen output
- Long service life of >50,000 hours L70 @ 50°C (Ta)
- Flexible wiring, heat resistant up to 150°C
- Compact and lightweight design
- Safety, EMC and IEC compliance



## TECHNICAL SPECIFICATIONS



Subject to Replacement based on Projection Distance:



BH Code	IMPA No.	Beam Angle	Power	CCT	Ambient Temp (Ta)	Lumen	CD	Projection Distance	Illum. Area (Diameter)
								@200 Lux	
LF90N015KA34	791838	17°	90W	5000K	-40°C ~ +50°C	11400lm	96800cd	22.0m	6.6m
LF90M015KA34	791839	45°	90W	5000K	-40°C ~ +50°C	10800lm	14000cd	8.4m	6.9m
LF90F015KA34	791840	105°	90W	5000K	-40°C ~ +50°C	11700lm	4500cd	4.7m	12.4m

Also available in other CCT and beam angle upon request.

Due to our continuous development and product improvement policy, we reserve the rights to revise the specifications of all products without prior notice.



# HIGH PERFORMANCE MODULAR LED FLOODLIGHT



## LF90 2 SERIES

5 years warranty



### Key Features

- Available in 100-240VAC
- Rapid heat-dissipating design to prolong lamp life and optimise lumen output
- Long service life of >50,000 hours L70 @ 50°C (Ta)
- Flexible wiring, heat resistant up to 150°C
- Compact and lightweight design
- Safety, EMC and IEC compliance



### Application

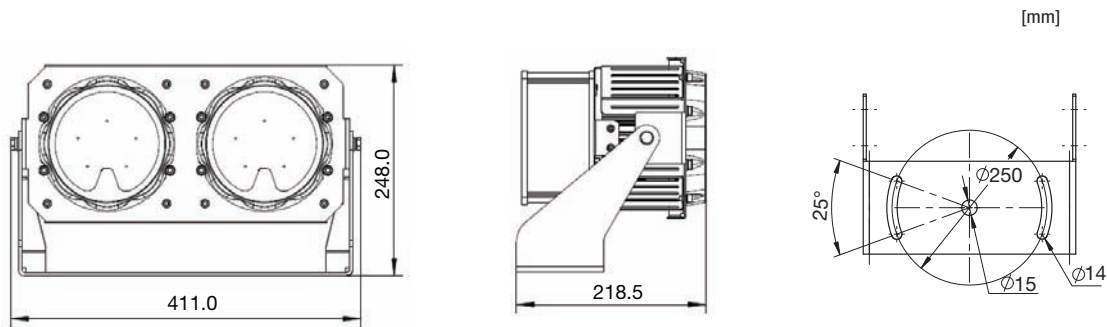
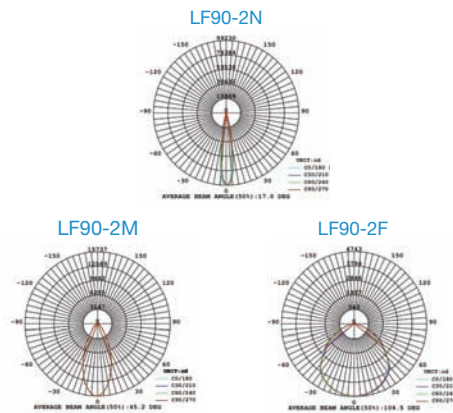
Decks, Marinas, Docks, Ports, Warehouses

### Material

Marine grade aluminium alloy with powder coating, comes with 4mm tempered glass front cover

### Weight

8.6Kg



## TECHNICAL SPECIFICATIONS



Subject to Replacement based on Projection Distance:



BH Code	IMPA No.	Beam Angle	Power	CCT	Ambient Temp (Ta)	Lumen	CD	Projection Distance	Illum. Area (Diameter)
								@200 Lux	
LF90N025KA34	791848	17°	180W	5000K	-40°C ~ +50°C	22800lm	193600cd	31.1m	9.3m
LF90M025KA34	791849	45°	180W	5000K	-40°C ~ +50°C	21600lm	28000cd	11.8m	9.8m
LF90F025KA34	791850	105°	180W	5000K	-40°C ~ +50°C	23400lm	9000cd	6.7m	17.5m

Also available in other CCT and beam angle upon request.

Due to our continuous development and product improvement policy, we reserve the rights to revise the specifications of all products without prior notice.

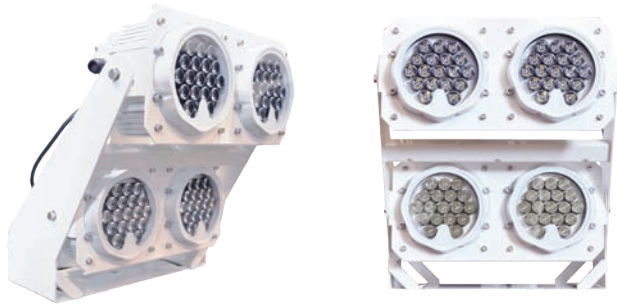


# HIGH PERFORMANCE MODULAR LED FLOODLIGHT



## LF90 4 SERIES

5 years warranty



### Key Features

- Available in 100-240VAC
- Rapid heat-dissipating design to prolong lamp life and optimise lumen output
- Long service life of >50,000 hours L70 @ 50°C (Ta)
- Flexible wiring, heat resistant up to 150°C
- Compact and lightweight design
- Safety, EMC and IEC compliance



### Application

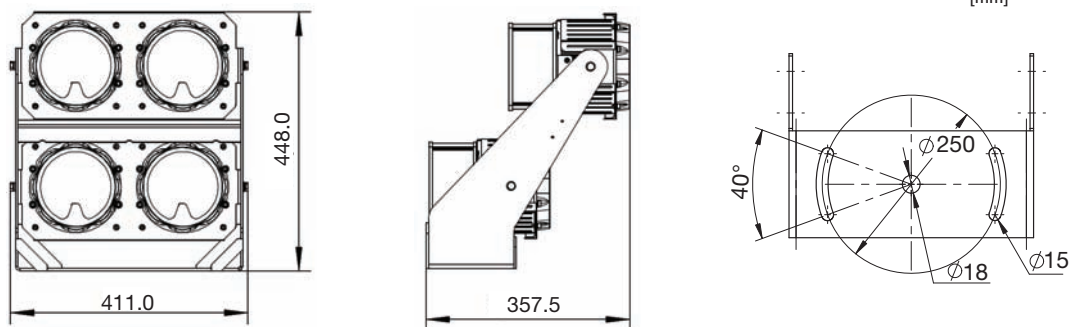
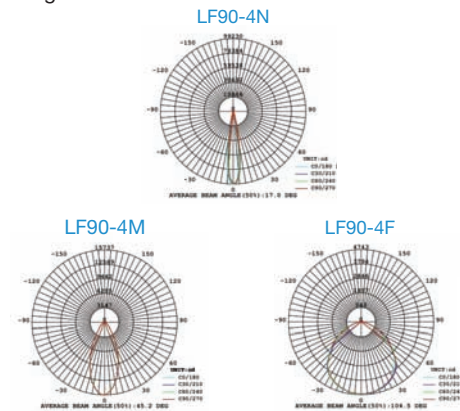
Navigation Decks, Marinas, Docks, Ports, Warehouses

### Material

Marine grade aluminium alloy with powder coating, comes with 4mm tempered glass front cover

### Weight

17Kg



## TECHNICAL SPECIFICATIONS



Subject to Replacement based on Projection Distance:



BH Code	IMPA No.	Beam Angle	Power	CCT	Ambient Temp (Ta)	Lumen	CD	Projection Distance	Illum. Area (Diameter)
								@200 Lux	
LF90N045KA34	791856	17°	360W	5000K	-40°C ~ +50°C	45600lm	387200cd	44.0m	13.2m
LF90M045KA34	791859	45°	360W	5000K	-40°C ~ +50°C	43200lm	56000cd	16.7m	13.9m
LF90F045KA34	791860	105°	360W	5000K	-40°C ~ +50°C	46800lm	18000cd	9.5m	24.7m
LF90NM45KA34	-	17°+45°	360W	5000K	-40°C ~ +50°C	41300lm	252500cd	35.5m	10.8m

Also available in other CCT and beam angle upon request.

Due to our continuous development and product improvement policy, we reserve the rights to revise the specifications of all products without prior notice.



# HEAVY DUTY LED FLOODLIGHT



## FL 80 SERIES

5 years warranty



### Key Features

- High efficient constant current AC driver to enhance reliability for AC series
- Vibration-resistant
- Long service life of >50,000 hours L70 @ 45°C (Ta)
- Safety, EMC and IEC compliance



### Application

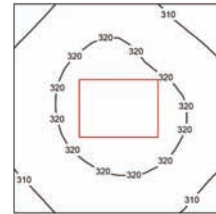
Decks, Marinas, Docks

### Material

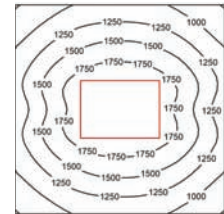
Marine grade aluminium alloy with powder coating, comes with 4mm tempered glass front cover and high-efficiency optical lens

### Weight

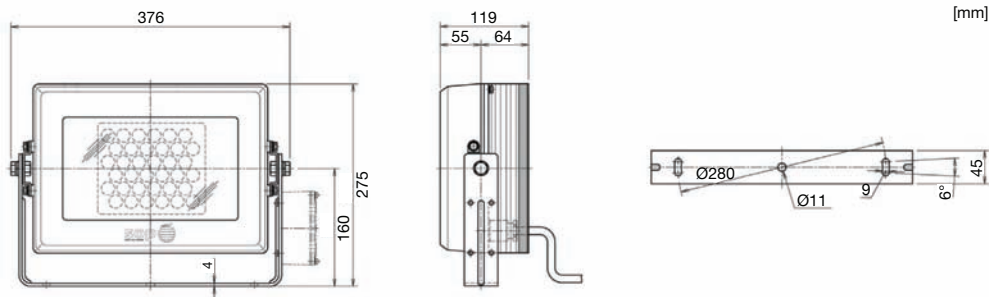
FL85NAD/FL85FAD: 7.5Kg  
FL80ND/FL80FD: 7.0Kg



Wide beam model:  
Average Lux : 317lx  
Mounting Height : 5 Meters  
Measurement Area : 1m²



Narrow beam model:  
Average Lux : 1419lx  
Mounting Height : 5 Meters  
Measurement Area : 1m²



## TECHNICAL SPECIFICATIONS

IP 66

Ideal Replacement:

BH Code	IMPA No.	Main Voltage	Power	CCT	Beam Angle	Ambient Temp (Ta)	System Lumen
LAFL85NAD	-	100V - 240V AC/DC	85W	5700K	10°	-20°C ~ +45°C	7550lm
LAFL85FAD	-	100V - 240V AC/DC	85W	5700K	50°	-20°C ~ +45°C	7550lm
LAFL80ND	-	24V DC	80W	5700K	10°	-20°C ~ +45°C	7550lm
LAFL80FD	-	24V DC	80W	5700K	50°	-20°C ~ +45°C	7550lm

Also available in other CCT.

Due to our continuous development and product improvement policy, we reserve the rights to revise the specifications of all products without prior notice.



# HEAVY DUTY LED FLOODLIGHT



## FL 160 SERIES

5 years warranty



### Key Features

- High efficient constant current AC driver to enhance reliability for AC series
- Vibration-resistant
- Long service life of >50,000 hours L70 @ 45°C (Ta)
- Safety, EMC and IEC compliance



### Application

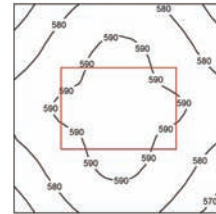
Decks, Marinas, Docks

### Material

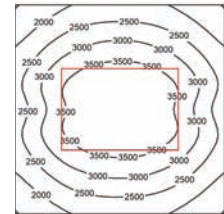
Marine grade aluminium alloy with powder coating, comes with 4mm tempered glass front cover and high-efficiency optical lens

### Weight

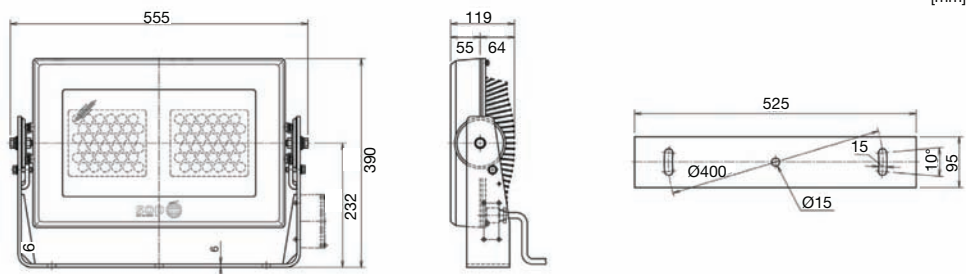
FL165NAD/FL165FAD: 16.5Kg  
FL160ND/FL160FD: 15.5Kg



Wide beam model:  
Average Lux : 585lx  
Mounting Height : 5 Meters  
Measurement Area : 1m<sup>2</sup>



Narrow beam model:  
Average Lux : 2847lx  
Mounting Height : 5 Meters  
Measurement Area : 1m<sup>2</sup>



## TECHNICAL SPECIFICATIONS IP 66

Ideal Replacement:

BH Code	IMPA No.	Main Voltage	Power	CCT	Beam Angle	Ambient Temp (Ta)	System Lumen
LAFL165NAD	-	100V - 240V AC/DC	165W	5700K	10°	-20°C ~ +45°C	15150lm
LAFL165FAD	-	100V - 240V AC/DC	165W	5700K	50°	-20°C ~ +45°C	15150lm
LAFL160ND	-	24V DC	160W	5700K	10°	-20°C ~ +45°C	15150lm
LAFL160FD	-	24V DC	160W	5700K	50°	-20°C ~ +45°C	15150lm

Also available in other CCT.

Due to our continuous development and product improvement policy, we reserve the rights to revise the specifications of all products without prior notice.

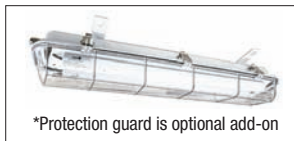


# LED WATERTIGHT LUMINAIRE



## LWS SERIES

3 years warranty



### Key Features

- Triac dimming compatible
- Built-in with high thermal efficient linear module that allows lighting to operate at ambient temperature of up to 45°C
- Special designed clear polycarbonate diffuser to optimize the LED light transmission
- Long service life of 50,000 hours L70 @ 45°C (Ta)
- Safety, EMC and IEC compliance
- Available with battery backup system and emergency lighting



### Application

Decks, Engine rooms, Yards, Coldrooms

### Mounting Method

Surface mounted

### Material

Diffuser: Polycarbonate  
 Housing: SUS316 stainless steel or  
 Zinc coated steel, Powder coated white  
 Optional protection guard: SUS316 stainless steel

### Electrical

Flexible wiring, Heat resistant up to 105°C

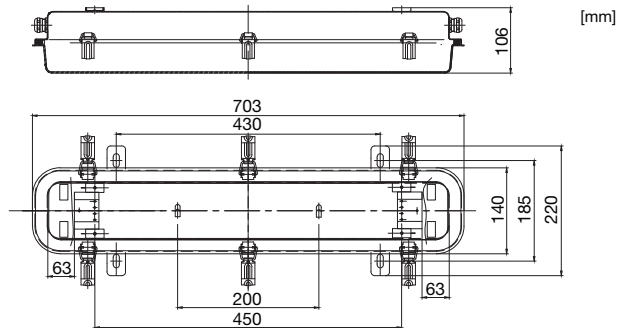
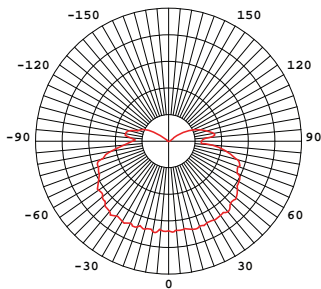
### Options

100V ~ 120V AC  
 220V ~ 240V AC

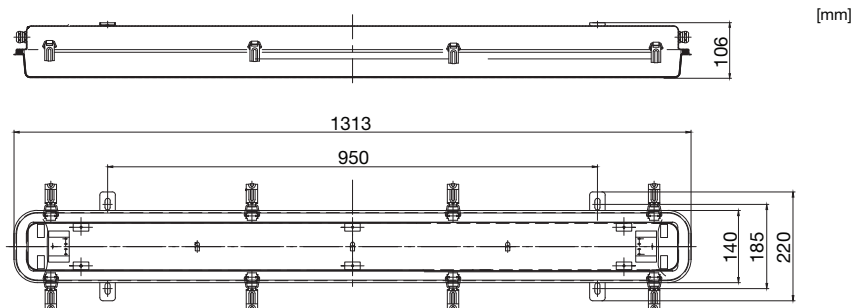
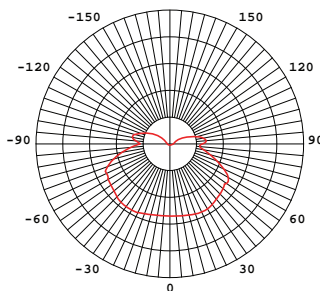
### Weight

LWS21: 3.1Kg    LWS22: 3.3Kg  
 LWS41: 5.1Kg    LWS42: 5.5Kg  
 With 3Hr emergency backup battery: Add 0.18Kg

### LWS21/LWS22



### LWS41/LWS42



Due to our continuous development and product improvement policy, we reserve the rights to revise the specifications of all products without prior notice.



# LED WATERTIGHT LUMINAIRE



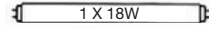
## LWS SERIES

- S Denotes : Standard lighting
- B Denotes : With 3Hr battery backup
- E Denotes : With DC24V emergency LED

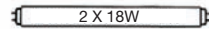
### TECHNICAL SPECIFICATIONS



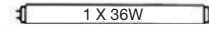
Ideal Replacement:



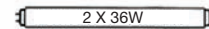
LWS21 for 1X18W



LWS22 for 2X18W



LWS41 for 1X36W



LWS42 for 2X36W

BH Code	IMPA No.	Main Voltage	Power	CCT	Ambient Temp (Ta)	System Lumen	Housing
LWS21SP5KA1S	-	100V - 120V AC	1x12.5W	5000K	-30°C ~ +45°C	1150lm	SUS316 Stainless Steel
LWS21SP5KA1B	-	100V - 120V AC	1x12.5W	5000K	-30°C ~ +45°C	1150lm	SUS316 Stainless Steel
LWS21SP5KA1E	-	100V - 120V AC	1x12.5W	5000K	-30°C ~ +45°C	1150lm	SUS316 Stainless Steel
LWS21ZP5KA1S	-	100V - 120V AC	1x12.5W	5000K	-30°C ~ +45°C	1150lm	Zinc Coated Steel
LWS21ZP5KA1B	-	100V - 120V AC	1x12.5W	5000K	-30°C ~ +45°C	1150lm	Zinc Coated Steel
LWS21ZP5KA1E	-	100V - 120V AC	1x12.5W	5000K	-30°C ~ +45°C	1150lm	Zinc Coated Steel
LWS22SP5KA1S	-	100V - 120V AC	2x12.5W	5000K	-30°C ~ +45°C	2300lm	SUS316 Stainless Steel
LWS22SP5KA1B	-	100V - 120V AC	2x12.5W	5000K	-30°C ~ +45°C	2300lm	SUS316 Stainless Steel
LWS22SP5KA1E	-	100V - 120V AC	2x12.5W	5000K	-30°C ~ +45°C	2300lm	SUS316 Stainless Steel
LWS22ZP5KA1S	-	100V - 120V AC	2x12.5W	5000K	-30°C ~ +45°C	2300lm	Zinc Coated Steel
LWS22ZP5KA1B	-	100V - 120V AC	2x12.5W	5000K	-30°C ~ +45°C	2300lm	Zinc Coated Steel
LWS22ZP5KA1E	-	100V - 120V AC	2x12.5W	5000K	-30°C ~ +45°C	2300lm	Zinc Coated Steel

Also available in other CCT.

\*Ambient Temperature is not applicable for Battery Backup System and Emergency Lighting.

BH Code	IMPA No.	Main Voltage	Power	CCT	Ambient Temp (Ta)	System Lumen	Housing
LWS41SP5KA1S	-	100V - 120V AC	1x24W	5000K	-30°C ~ +45°C	2200lm	SUS316 Stainless Steel
LWS41SP5KA1B	-	100V - 120V AC	1x24W	5000K	-30°C ~ +45°C	2200lm	SUS316 Stainless Steel
LWS41SP5KA1E	-	100V - 120V AC	1x24W	5000K	-30°C ~ +45°C	2200lm	SUS316 Stainless Steel
LWS41ZP5KA1S	-	100V - 120V AC	1x24W	5000K	-30°C ~ +45°C	2200lm	Zinc Coated Steel
LWS41ZP5KA1B	-	100V - 120V AC	1x24W	5000K	-30°C ~ +45°C	2200lm	Zinc Coated Steel
LWS41ZP5KA1E	-	100V - 120V AC	1x24W	5000K	-30°C ~ +45°C	2200lm	Zinc Coated Steel
LWS42SP5KA1S	-	100V - 120V AC	2x24W	5000K	-30°C ~ +45°C	4400lm	SUS316 Stainless Steel
LWS42SP5KA1B	-	100V - 120V AC	2x24W	5000K	-30°C ~ +45°C	4400lm	SUS316 Stainless Steel
LWS42SP5KA1E	-	100V - 120V AC	2x24W	5000K	-30°C ~ +45°C	4400lm	SUS316 Stainless Steel
LWS42ZP5KA1S	-	100V - 120V AC	2x24W	5000K	-30°C ~ +45°C	4400lm	Zinc Coated Steel
LWS42ZP5KA1B	-	100V - 120V AC	2x24W	5000K	-30°C ~ +45°C	4400lm	Zinc Coated Steel
LWS42ZP5KA1E	-	100V - 120V AC	2x24W	5000K	-30°C ~ +45°C	4400lm	Zinc Coated Steel

Also available in other CCT.

\*Ambient Temperature is not applicable for Battery Backup System and Emergency Lighting.

# LED WATERTIGHT LUMINAIRE



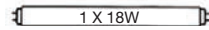
## LWS SERIES

- S Denotes : Standard lighting
- B Denotes : With 3Hr battery backup
- E Denotes : With DC24V emergency LED

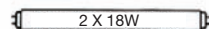
### TECHNICAL SPECIFICATIONS



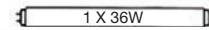
Ideal Replacement:



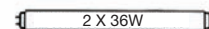
LWS21 for 1X18W



LWS22 for 2X18W



LWS41 for 1X36W



LWS42 for 2X36W

BH Code	IMPA No.	Main Voltage	Power	CCT	Ambient Temp (Ta)	System Lumen	Housing
LWS21SP5KA2S	-	220V - 240V AC	1x12.5W	5000K	-30°C ~ +45°C	1150lm	SUS316 Stainless Steel
LWS21SP5KA2B	-	220V - 240V AC	1x12.5W	5000K	-30°C ~ +45°C	1150lm	SUS316 Stainless Steel
LWS21SP5KA2E	-	220V - 240V AC	1x12.5W	5000K	-30°C ~ +45°C	1150lm	SUS316 Stainless Steel
LWS21ZP5KA2S	-	220V - 240V AC	1x12.5W	5000K	-30°C ~ +45°C	1150lm	Zinc Coated Steel
LWS21ZP5KA2B	-	220V - 240V AC	1x12.5W	5000K	-30°C ~ +45°C	1150lm	Zinc Coated Steel
LWS21ZP5KA2E	-	220V - 240V AC	1x12.5W	5000K	-30°C ~ +45°C	1150lm	Zinc Coated Steel
LWS22SP5KA2S	-	220V - 240V AC	2x12.5W	5000K	-30°C ~ +45°C	2300lm	SUS316 Stainless Steel
LWS22SP5KA2B	-	220V - 240V AC	2x12.5W	5000K	-30°C ~ +45°C	2300lm	SUS316 Stainless Steel
LWS22SP5KA2E	-	220V - 240V AC	2x12.5W	5000K	-30°C ~ +45°C	2300lm	SUS316 Stainless Steel
LWS22ZP5KA2S	-	220V - 240V AC	2x12.5W	5000K	-30°C ~ +45°C	2300lm	Zinc Coated Steel
LWS22ZP5KA2B	-	220V - 240V AC	2x12.5W	5000K	-30°C ~ +45°C	2300lm	Zinc Coated Steel
LWS22ZP5KA2E	-	220V - 240V AC	2x12.5W	5000K	-30°C ~ +45°C	2300lm	Zinc Coated Steel

Also available in other CCT.

\*Ambient Temperature is not applicable for Battery Backup System and Emergency Lighting.

BH Code	IMPA No.	Main Voltage	Power	CCT	Ambient Temp (Ta)	System Lumen	Housing
LWS41SP5KA2S	-	220V - 240V AC	1x24W	5000K	-30°C ~ +45°C	2200lm	SUS316 Stainless Steel
LWS41SP5KA2B	-	220V - 240V AC	1x24W	5000K	-30°C ~ +45°C	2200lm	SUS316 Stainless Steel
LWS41SP5KA2E	-	220V - 240V AC	1x24W	5000K	-30°C ~ +45°C	2200lm	SUS316 Stainless Steel
LWS41ZP5KA2S	-	220V - 240V AC	1x24W	5000K	-30°C ~ +45°C	2200lm	Zinc Coated Steel
LWS41ZP5KA2B	-	220V - 240V AC	1x24W	5000K	-30°C ~ +45°C	2200lm	Zinc Coated Steel
LWS41ZP5KA2E	-	220V - 240V AC	1x24W	5000K	-30°C ~ +45°C	2200lm	Zinc Coated Steel
LWS42SP5KA2S	-	220V - 240V AC	2x24W	5000K	-30°C ~ +45°C	4400lm	SUS316 Stainless Steel
LWS42SP5KA2B	-	220V - 240V AC	2x24W	5000K	-30°C ~ +45°C	4400lm	SUS316 Stainless Steel
LWS42SP5KA2E	-	220V - 240V AC	2x24W	5000K	-30°C ~ +45°C	4400lm	SUS316 Stainless Steel
LWS42ZP5KA2S	-	220V - 240V AC	2x24W	5000K	-30°C ~ +45°C	4400lm	Zinc Coated Steel
LWS42ZP5KA2B	-	220V - 240V AC	2x24W	5000K	-30°C ~ +45°C	4400lm	Zinc Coated Steel
LWS42ZP5KA2E	-	220V - 240V AC	2x24W	5000K	-30°C ~ +45°C	4400lm	Zinc Coated Steel

Also available in other CCT.

\*Ambient Temperature is not applicable for Battery Backup System and Emergency Lighting.

# LED WATERTIGHT LUMINAIRE



## LWS SERIES (LITE)

3 years warranty



### Key Features

- Built-in with high thermal efficient linear module that allows lighting to operate at ambient temperature of up to 45°C
- Special designed clear polycarbonate diffuser to optimize the LED light transmission
- Long service life of 50,000 hours L70 @ 45°C (Ta)
- Safety, EMC and IEC compliance
- Available with battery backup system and emergency lighting



### Application

Decks, Yards, Coldrooms

### Mounting Method

Surface mounted

### Material

Diffuser: Polycarbonate  
 Housing: SUS316 stainless steel or  
 Zinc coated steel, Powder coated white  
 Optional protection guard: SUS316 stainless steel

### Electrical

Flexible wiring, Heat resistant up to 105°C

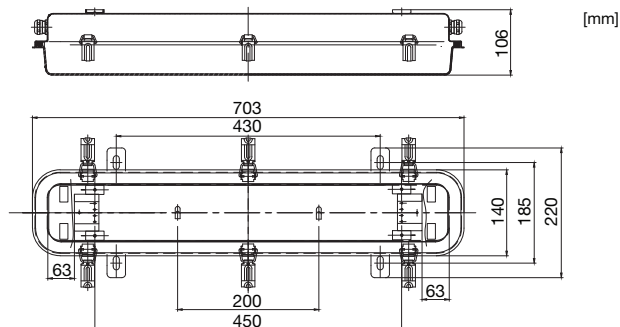
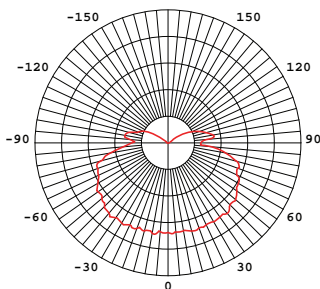
### Options

100V ~ 120V AC  
 220V ~ 240V AC

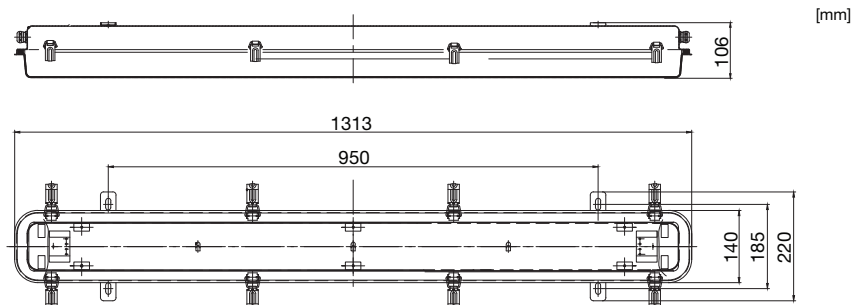
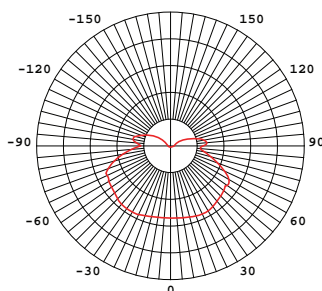
### Weight

LWS21: 2.6Kg    LWS22: 2.7Kg  
 LWS41: 4.8Kg    LWS42: 5.0Kg  
 With 3Hr emergency backup battery: Add 0.18Kg

### LWS21/LWS22



### LWS41/LWS42



Due to our continuous development and product improvement policy, we reserve the rights to revise the specifications of all products without prior notice.



# LED WATERTIGHT LUMINAIRE



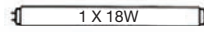
## LWS SERIES (LITE)

- S Denotes : Standard lighting
- B Denotes : With 3Hr battery backup
- E Denotes : With DC24V emergency LED

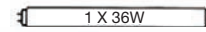
### TECHNICAL SPECIFICATIONS



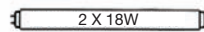
Ideal Replacement:



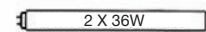
LWS21 for 1X18W



LWS41 for 1X36W



LWS22 for 2X18W



LWS42 for 2X36W

BH Code	IMPA No.	Main Voltage	Power	CCT	Ambient Temp (Ta)	System Lumen	Housing
LWS21SX6KA1S	-	100V - 120V AC	1x10W	6500K	-30°C ~ +45°C	1000lm	SUS316 Stainless Steel
LWS21SX6KA1B	-	100V - 120V AC	1x10W	6500K	-30°C ~ +45°C	1000lm	SUS316 Stainless Steel
LWS21SX6KA1E	-	100V - 120V AC	1x10W	6500K	-30°C ~ +45°C	1000lm	SUS316 Stainless Steel
LWS21ZX6KA1S	-	100V - 120V AC	1x10W	6500K	-30°C ~ +45°C	1000lm	Zinc Coated Steel
LWS21ZX6KA1B	-	100V - 120V AC	1x10W	6500K	-30°C ~ +45°C	1000lm	Zinc Coated Steel
LWS21ZX6KA1E	-	100V - 120V AC	1x10W	6500K	-30°C ~ +45°C	1000lm	Zinc Coated Steel
LWS22SX6KA1S	-	100V - 120V AC	2x10W	6500K	-30°C ~ +45°C	2000lm	SUS316 Stainless Steel
LWS22SX6KA1B	-	100V - 120V AC	2x10W	6500K	-30°C ~ +45°C	2000lm	SUS316 Stainless Steel
LWS22SX6KA1E	-	100V - 120V AC	2x10W	6500K	-30°C ~ +45°C	2000lm	SUS316 Stainless Steel
LWS22ZX6KA1S	-	100V - 120V AC	2x10W	6500K	-30°C ~ +45°C	2000lm	Zinc Coated Steel
LWS22ZX6KA1B	-	100V - 120V AC	2x10W	6500K	-30°C ~ +45°C	2000lm	Zinc Coated Steel
LWS22ZX6KA1E	-	100V - 120V AC	2x10W	6500K	-30°C ~ +45°C	2000lm	Zinc Coated Steel

Also available in other CCT.

\*Ambient Temperature is not applicable for Battery Backup System and Emergency Lighting.

BH Code	IMPA No.	Main Voltage	Power	CCT	Ambient Temp (Ta)	System Lumen	Housing
LWS41SX6KA1S	-	100V - 120V AC	1x20W	6500K	-30°C ~ +45°C	2000lm	SUS316 Stainless Steel
LWS41SX6KA1B	-	100V - 120V AC	1x20W	6500K	-30°C ~ +45°C	2000lm	SUS316 Stainless Steel
LWS41SX6KA1E	-	100V - 120V AC	1x20W	6500K	-30°C ~ +45°C	2000lm	SUS316 Stainless Steel
LWS41ZX6KA1S	-	100V - 120V AC	1x20W	6500K	-30°C ~ +45°C	2000lm	Zinc Coated Steel
LWS41ZX6KA1B	-	100V - 120V AC	1x20W	6500K	-30°C ~ +45°C	2000lm	Zinc Coated Steel
LWS41ZX6KA1E	-	100V - 120V AC	1x20W	6500K	-30°C ~ +45°C	2000lm	Zinc Coated Steel
LWS42SX6KA1S	-	100V - 120V AC	2x20W	6500K	-30°C ~ +45°C	4000lm	SUS316 Stainless Steel
LWS42SX6KA1B	-	100V - 120V AC	2x20W	6500K	-30°C ~ +45°C	4000lm	SUS316 Stainless Steel
LWS42SX6KA1E	-	100V - 120V AC	2x20W	6500K	-30°C ~ +45°C	4000lm	SUS316 Stainless Steel
LWS42ZX6KA1S	-	100V - 120V AC	2x20W	6500K	-30°C ~ +45°C	4000lm	Zinc Coated Steel
LWS42ZX6KA1B	-	100V - 120V AC	2x20W	6500K	-30°C ~ +45°C	4000lm	Zinc Coated Steel
LWS42ZX6KA1E	-	100V - 120V AC	2x20W	6500K	-30°C ~ +45°C	4000lm	Zinc Coated Steel

Also available in other CCT.

\*Ambient Temperature is not applicable for Battery Backup System and Emergency Lighting.

# LED WATERTIGHT LUMINAIRE



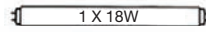
## LWS SERIES (LITE)

- S Denotes : Standard lighting
- B Denotes : With 3Hr battery backup
- E Denotes : With DC24V emergency LED

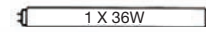
### TECHNICAL SPECIFICATIONS



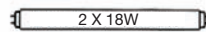
Ideal Replacement:



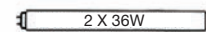
LWS21 for 1X18W



LWS41 for 1X36W



LWS22 for 2X18W



LWS42 for 2X36W

BH Code	IMPA No.	Main Voltage	Power	CCT	Ambient Temp (Ta)	System Lumen	Housing
LWS21SX6KA2S	791969	220V - 240V AC	1x10W	6500K	-30°C ~ +45°C	1000lm	SUS316 Stainless Steel
LWS21SX6KA2B	-	220V - 240V AC	1x10W	6500K	-30°C ~ +45°C	1000lm	SUS316 Stainless Steel
LWS21SX6KA2E	-	220V - 240V AC	1x10W	6500K	-30°C ~ +45°C	1000lm	SUS316 Stainless Steel
LWS21ZX6KA2S	791967	220V - 240V AC	1x10W	6500K	-30°C ~ +45°C	1000lm	Zinc Coated Steel
LWS21ZX6KA2B	-	220V - 240V AC	1x10W	6500K	-30°C ~ +45°C	1000lm	Zinc Coated Steel
LWS21ZX6KA2E	-	220V - 240V AC	1x10W	6500K	-30°C ~ +45°C	1000lm	Zinc Coated Steel
LWS22SX6KA2S	791970	220V - 240V AC	2x10W	6500K	-30°C ~ +45°C	2000lm	SUS316 Stainless Steel
LWS22SX6KA2B	-	220V - 240V AC	2x10W	6500K	-30°C ~ +45°C	2000lm	SUS316 Stainless Steel
LWS22SX6KA2E	-	220V - 240V AC	2x10W	6500K	-30°C ~ +45°C	2000lm	SUS316 Stainless Steel
LWS22ZX6KA2S	791968	220V - 240V AC	2x10W	6500K	-30°C ~ +45°C	2000lm	Zinc Coated Steel
LWS22ZX6KA2B	-	220V - 240V AC	2x10W	6500K	-30°C ~ +45°C	2000lm	Zinc Coated Steel
LWS22ZX6KA2E	-	220V - 240V AC	2x10W	6500K	-30°C ~ +45°C	2000lm	Zinc Coated Steel

Also available in other CCT.

\*Ambient Temperature is not applicable for Battery Backup System and Emergency Lighting.

BH Code	IMPA No.	Main Voltage	Power	CCT	Ambient Temp (Ta)	System Lumen	Housing
LWS41SX6KA2S	791973	220V - 240V AC	1x20W	6500K	-30°C ~ +45°C	2000lm	SUS316 Stainless Steel
LWS41SX6KA2B	-	220V - 240V AC	1x20W	6500K	-30°C ~ +45°C	2000lm	SUS316 Stainless Steel
LWS41SX6KA2E	-	220V - 240V AC	1x20W	6500K	-30°C ~ +45°C	2000lm	SUS316 Stainless Steel
LWS41ZX6KA2S	791971	220V - 240V AC	1x20W	6500K	-30°C ~ +45°C	2000lm	Zinc Coated Steel
LWS41ZX6KA2B	-	220V - 240V AC	1x20W	6500K	-30°C ~ +45°C	2000lm	Zinc Coated Steel
LWS41ZX6KA2E	-	220V - 240V AC	1x20W	6500K	-30°C ~ +45°C	2000lm	Zinc Coated Steel
LWS42SX6KA2S	791974	220V - 240V AC	2x20W	6500K	-30°C ~ +45°C	4000lm	SUS316 Stainless Steel
LWS42SX6KA2B	-	220V - 240V AC	2x20W	6500K	-30°C ~ +45°C	4000lm	SUS316 Stainless Steel
LWS42SX6KA2E	-	220V - 240V AC	2x20W	6500K	-30°C ~ +45°C	4000lm	SUS316 Stainless Steel
LWS42ZX6KA2S	791972	220V - 240V AC	2x20W	6500K	-30°C ~ +45°C	4000lm	Zinc Coated Steel
LWS42ZX6KA2B	-	220V - 240V AC	2x20W	6500K	-30°C ~ +45°C	4000lm	Zinc Coated Steel
LWS42ZX6KA2E	-	220V - 240V AC	2x20W	6500K	-30°C ~ +45°C	4000lm	Zinc Coated Steel

Also available in other CCT.

\*Ambient Temperature is not applicable for Battery Backup System and Emergency Lighting.

# LED WATERTIGHT LUMINAIRE



## LWE SERIES

3 years warranty



### Key Features

- Triac dimming compatible
- Built-in with high thermal efficient linear module that allows lighting to operate at ambient temperature of up to 45°C
- Special designed clear polycarbonate diffuser to optimize the LED light transmission
- Long service life of 50,000 hours L70 @ 45°C (Ta)
- Safety, EMC and IEC compliance
- Available with battery backup system and emergency lighting



### Application

Decks, Engine rooms, Yards, Coldrooms

### Mounting Method

Surface mounted

### Material

Diffuser: Polycarbonate  
 Housing: SUS316 stainless steel or  
 Zinc coated steel, Powder coated white  
 Optional protection guard: SUS316 stainless steel

### Electrical

Flexible wiring, Heat resistant up to 105°C

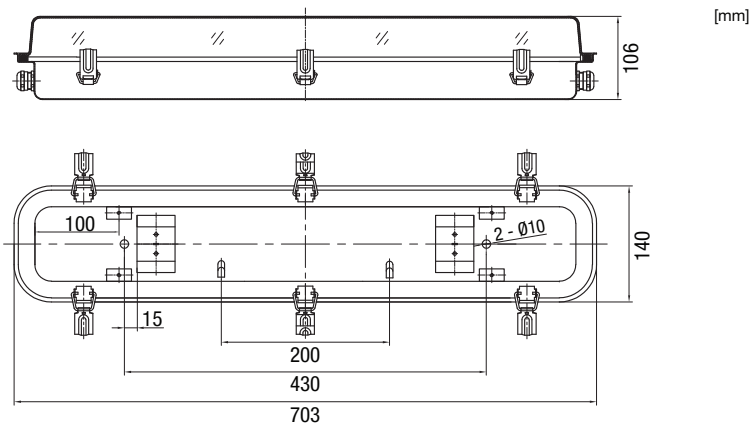
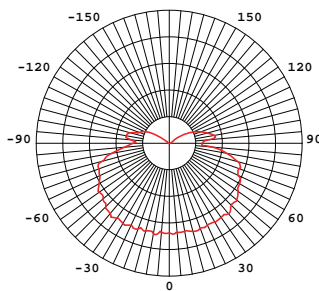
### Options

100V ~ 120V AC  
 220V ~ 240V AC

### Weight

LWE21: 3.1Kg LWE22: 3.3Kg  
 With 3Hr emergency backup battery: Add 0.18Kg

## LWE21/LWE22



Due to our continuous development and product improvement policy, we reserve the rights to revise the specifications of all products without prior notice.



# LED WATERTIGHT LUMINAIRE



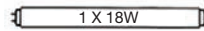
## LWE SERIES

- S Denotes : Standard lighting
- B Denotes : With 3Hr battery backup
- E Denotes : With DC24V emergency LED

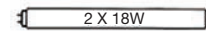
### TECHNICAL SPECIFICATIONS



Ideal Replacement:



LWE21 for 1X18W



LWE22 for 2X18W

BH Code	IMPA No.	Main Voltage	Power	CCT	Ambient Temp (Ta)	System Lumen	Housing
LWE21SP5KA1S	-	100V - 120V AC	1x12.5W	5000K	-30°C ~ +45°C	1150lm	SUS316 Stainless Steel
LWE21SP5KA1B	-	100V - 120V AC	1x12.5W	5000K	-30°C ~ +45°C	1150lm	SUS316 Stainless Steel
LWE21SP5KA1E	-	100V - 120V AC	1x12.5W	5000K	-30°C ~ +45°C	1150lm	SUS316 Stainless Steel
LWE21ZP5KA1S	-	100V - 120V AC	1x12.5W	5000K	-30°C ~ +45°C	1150lm	Zinc Coated Steel
LWE21ZP5KA1B	-	100V - 120V AC	1x12.5W	5000K	-30°C ~ +45°C	1150lm	Zinc Coated Steel
LWE21ZP5KA1E	-	100V - 120V AC	1x12.5W	5000K	-30°C ~ +45°C	1150lm	Zinc Coated Steel
LWE22SP5KA1S	-	100V - 120V AC	2x12.5W	5000K	-30°C ~ +45°C	2300lm	SUS316 Stainless Steel
LWE22SP5KA1B	-	100V - 120V AC	2x12.5W	5000K	-30°C ~ +45°C	2300lm	SUS316 Stainless Steel
LWE22SP5KA1E	-	100V - 120V AC	2x12.5W	5000K	-30°C ~ +45°C	2300lm	SUS316 Stainless Steel
LWE22ZP5KA1S	-	100V - 120V AC	2x12.5W	5000K	-30°C ~ +45°C	2300lm	Zinc Coated Steel
LWE22ZP5KA1B	-	100V - 120V AC	2x12.5W	5000K	-30°C ~ +45°C	2300lm	Zinc Coated Steel
LWE22ZP5KA1E	-	100V - 120V AC	2x12.5W	5000K	-30°C ~ +45°C	2300lm	Zinc Coated Steel

Also available in other CCT.

\*Ambient Temperature is not applicable for Battery Backup System and Emergency Lighting.

BH Code	IMPA No.	Main Voltage	Power	CCT	Ambient Temp (Ta)	System Lumen	Housing
LWE21SP5KA2S	-	220V - 240V AC	1x12.5W	5000K	-30°C ~ +45°C	1150lm	SUS316 Stainless Steel
LWE21SP5KA2B	-	220V - 240V AC	1x12.5W	5000K	-30°C ~ +45°C	1150lm	SUS316 Stainless Steel
LWE21SP5KA2E	-	220V - 240V AC	1x12.5W	5000K	-30°C ~ +45°C	1150lm	SUS316 Stainless Steel
LWE21ZP5KA2S	-	220V - 240V AC	1x12.5W	5000K	-30°C ~ +45°C	1150lm	Zinc Coated Steel
LWE21ZP5KA2B	-	220V - 240V AC	1x12.5W	5000K	-30°C ~ +45°C	1150lm	Zinc Coated Steel
LWE21ZP5KA2E	-	220V - 240V AC	1x12.5W	5000K	-30°C ~ +45°C	1150lm	Zinc Coated Steel
LWE22SP5KA2S	-	220V - 240V AC	2x12.5W	5000K	-30°C ~ +45°C	2300lm	SUS316 Stainless Steel
LWE22SP5KA2B	-	220V - 240V AC	2x12.5W	5000K	-30°C ~ +45°C	2300lm	SUS316 Stainless Steel
LWE22SP5KA2E	-	220V - 240V AC	2x12.5W	5000K	-30°C ~ +45°C	2300lm	SUS316 Stainless Steel
LWE22ZP5KA2S	-	220V - 240V AC	2x12.5W	5000K	-30°C ~ +45°C	2300lm	Zinc Coated Steel
LWE22ZP5KA2B	-	220V - 240V AC	2x12.5W	5000K	-30°C ~ +45°C	2300lm	Zinc Coated Steel
LWE22ZP5KA2E	-	220V - 240V AC	2x12.5W	5000K	-30°C ~ +45°C	2300lm	Zinc Coated Steel

Also available in other CCT.

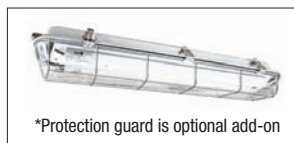
\*Ambient Temperature is not applicable for Battery Backup System and Emergency Lighting.

# LED WATERTIGHT LUMINAIRE



## LWE SERIES (LITE)

3 years warranty



### Key Features

- Built-in with high thermal efficient linear module that allows lighting to operate at ambient temperature of up to 45°C
- Special designed clear polycarbonate diffuser to optimize the LED light transmission
- Long service life of 50,000 hours L70 @ 45°C (Ta)
- Safety, EMC and IEC compliance
- Available with battery backup system and emergency lighting



### Application

Decks, Yards, Coldrooms

### Mounting Method

Surface mounted

### Material

Diffuser: Polycarbonate  
 Housing: SUS316 stainless steel or  
 Zinc coated steel, Powder coated white  
 Optional protection guard: SUS316 stainless steel

### Electrical

Flexible wiring, Heat resistant up to 105°C

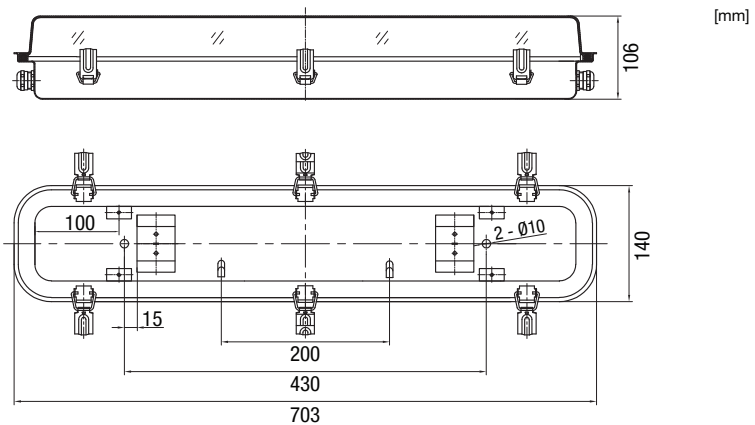
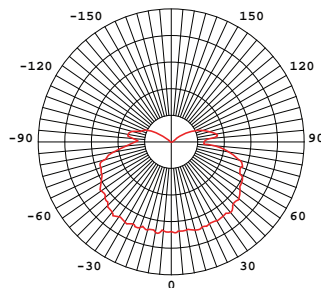
### Options

100V ~ 120V AC  
 220V ~ 240V AC

### Weight

LWE21: 2.6Kg LWE22: 2.7Kg  
 With 3Hr emergency backup battery: Add 0.18Kg

## LWE21/LWE22



# LED WATERTIGHT LUMINAIRE



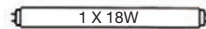
## LWE SERIES (LITE)

- S Denotes : Standard lighting
- B Denotes : With 3Hr battery backup
- E Denotes : With DC24V emergency LED

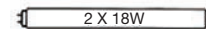
### TECHNICAL SPECIFICATIONS



Ideal Replacement:



LWE21 for 1X18W



LWE22 for 2X18W

BH Code	IMPA No.	Main Voltage	Power	CCT	Ambient Temp (Ta)	System Lumen	Housing
LWE21SX6KA1S	-	100V - 120V AC	1x10W	6500K	-30°C ~ +45°C	1000lm	SUS316 Stainless Steel
LWE21SX6KA1B	-	100V - 120V AC	1x10W	6500K	-30°C ~ +45°C	1000lm	SUS316 Stainless Steel
LWE21SX6KA1E	-	100V - 120V AC	1x10W	6500K	-30°C ~ +45°C	1000lm	SUS316 Stainless Steel
LWE21ZX6KA1S	-	100V - 120V AC	1x10W	6500K	-30°C ~ +45°C	1000lm	Zinc Coated Steel
LWE21ZX6KA1B	-	100V - 120V AC	1x10W	6500K	-30°C ~ +45°C	1000lm	Zinc Coated Steel
LWE21ZX6KA1E	-	100V - 120V AC	1x10W	6500K	-30°C ~ +45°C	1000lm	Zinc Coated Steel
LWE22SX6KA1S	-	100V - 120V AC	2x10W	6500K	-30°C ~ +45°C	2000lm	SUS316 Stainless Steel
LWE22SX6KA1B	-	100V - 120V AC	2x10W	6500K	-30°C ~ +45°C	2000lm	SUS316 Stainless Steel
LWE22SX6KA1E	-	100V - 120V AC	2x10W	6500K	-30°C ~ +45°C	2000lm	SUS316 Stainless Steel
LWE22ZX6KA1S	-	100V - 120V AC	2x10W	6500K	-30°C ~ +45°C	2000lm	Zinc Coated Steel
LWE22ZX6KA1B	-	100V - 120V AC	2x10W	6500K	-30°C ~ +45°C	2000lm	Zinc Coated Steel
LWE22ZX6KA1E	-	100V - 120V AC	2x10W	6500K	-30°C ~ +45°C	2000lm	Zinc Coated Steel

Also available in other CCT.

\*Ambient Temperature is not applicable for Battery Backup System and Emergency Lighting.

BH Code	IMPA No.	Main Voltage	Power	CCT	Ambient Temp (Ta)	System Lumen	Housing
LWE21SX6KA2S	791977	220V - 240V AC	1x10W	6500K	-30°C ~ +45°C	1000lm	SUS316 Stainless Steel
LWE21SX6KA2B	-	220V - 240V AC	1x10W	6500K	-30°C ~ +45°C	1000lm	SUS316 Stainless Steel
LWE21SX6KA2E	-	220V - 240V AC	1x10W	6500K	-30°C ~ +45°C	1000lm	SUS316 Stainless Steel
LWE21ZX6KA2S	791975	220V - 240V AC	1x10W	6500K	-30°C ~ +45°C	1000lm	Zinc Coated Steel
LWE21ZX6KA2B	-	220V - 240V AC	1x10W	6500K	-30°C ~ +45°C	1000lm	Zinc Coated Steel
LWE21ZX6KA2E	-	220V - 240V AC	1x10W	6500K	-30°C ~ +45°C	1000lm	Zinc Coated Steel
LWE22SX6KA2S	791978	220V - 240V AC	2x10W	6500K	-30°C ~ +45°C	2000lm	SUS316 Stainless Steel
LWE22SX6KA2B	-	220V - 240V AC	2x10W	6500K	-30°C ~ +45°C	2000lm	SUS316 Stainless Steel
LWE22SX6KA2E	-	220V - 240V AC	2x10W	6500K	-30°C ~ +45°C	2000lm	SUS316 Stainless Steel
LWE22ZX6KA2S	791976	220V - 240V AC	2x10W	6500K	-30°C ~ +45°C	2000lm	Zinc Coated Steel
LWE22ZX6KA2B	-	220V - 240V AC	2x10W	6500K	-30°C ~ +45°C	2000lm	Zinc Coated Steel
LWE22ZX6KA2E	-	220V - 240V AC	2x10W	6500K	-30°C ~ +45°C	2000lm	Zinc Coated Steel

Also available in other CCT.

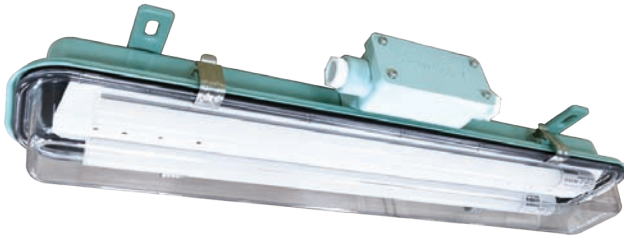
\*Ambient Temperature is not applicable for Battery Backup System and Emergency Lighting.

# LED WATERTIGHT LUMINAIRE



## LWJ SERIES

3 years warranty



### Key Features

- Triac dimming compatible
- Built-in with high thermal efficient linear module that allows lighting to operate at ambient temperature of up to 45°C
- Special designed clear polycarbonate diffuser to optimize the LED light transmission
- Long service life of 50,000 hours L70 @ 45°C (Ta)
- Safety, EMC and IEC compliance
- Available with battery backup system and emergency lighting



\*For AC models only

### Application

Decks, Engine rooms, Yards, Coldrooms

### Mounting Method

Surface mounted

### Material

Diffuser: Polycarbonate  
 Housing: SUS316 stainless steel or Zinc coated steel, Powder coated green  
 Optional protection guard: SUS316 stainless steel

### Electrical

Flexible wiring, Heat resistant up to 105°C

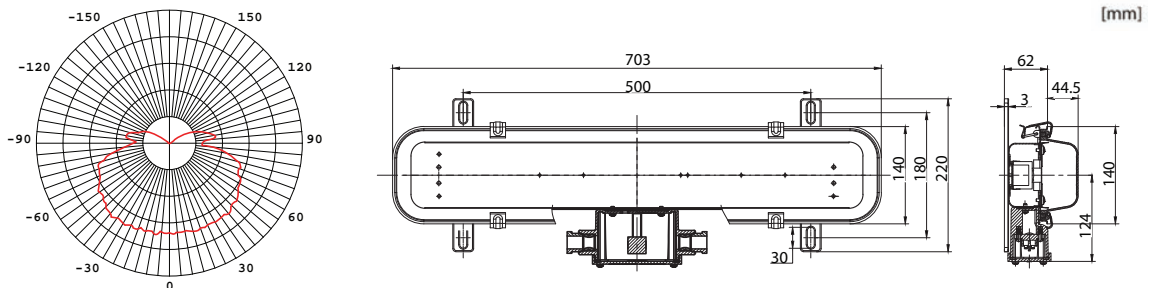
### Options

100V ~ 120V AC  
 220V ~ 240V AC  
 24V DC

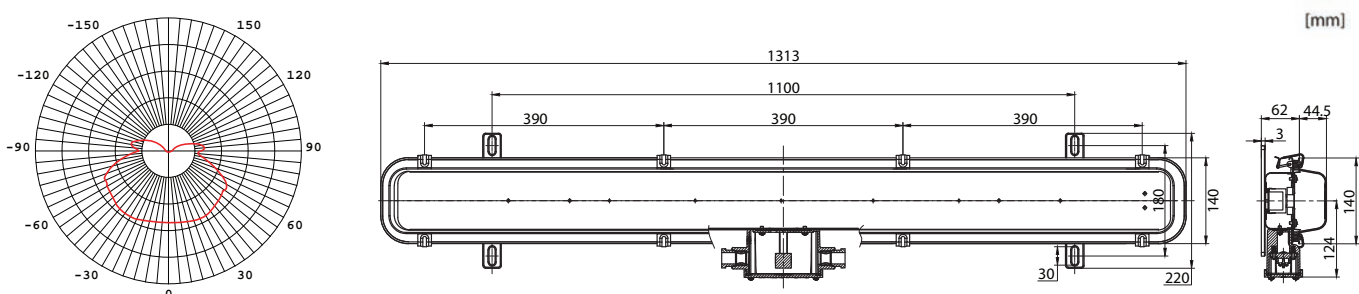
### Weight

LWJ21: 3.1Kg LWJ22: 3.3Kg  
 LWJ41: 5.1Kg LWJ42: 5.5Kg  
 With 3Hr emergency backup battery: Add 0.18Kg

### LWJ21/LWJ22



### LWJ41/LWJ42



Due to our continuous development and product improvement policy, we reserve the rights to revise the specifications of all products without prior notice.



# LED WATERTIGHT LUMINAIRE



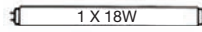
## LWJ SERIES

- S Denotes : Standard lighting
- B Denotes : With 3Hr battery backup
- E Denotes : With DC24V emergency LED

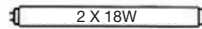
### TECHNICAL SPECIFICATIONS



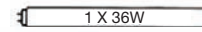
Ideal Replacement:



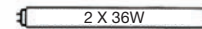
LWJ21 for 1X18W



LWJ22 for 2X18W



LWJ41 for 1X36W



LWJ42 for 2X36W

BH Code	IMPA No.	Main Voltage	Power	CCT	Ambient Temp (Ta)	System Lumen	Housing
LWJ21SP5KA1S	-	100V - 120V AC	1x12.5W	5000K	-30°C ~ +45°C	1150lm	SUS316 Stainless Steel
LWJ21SP5KA1B	-	100V - 120V AC	1x12.5W	5000K	-30°C ~ +45°C	1150lm	SUS316 Stainless Steel
LWJ21SP5KA1E	-	100V - 120V AC	1x12.5W	5000K	-30°C ~ +45°C	1150lm	SUS316 Stainless Steel
LWJ21ZP5KA1S	-	100V - 120V AC	1x12.5W	5000K	-30°C ~ +45°C	1150lm	Zinc Coated Steel
LWJ21ZP5KA1B	-	100V - 120V AC	1x12.5W	5000K	-30°C ~ +45°C	1150lm	Zinc Coated Steel
LWJ21ZP5KA1E	-	100V - 120V AC	1x12.5W	5000K	-30°C ~ +45°C	1150lm	Zinc Coated Steel
LWJ22SP5KA1S	-	100V - 120V AC	2x12.5W	5000K	-30°C ~ +45°C	2300lm	SUS316 Stainless Steel
LWJ22SP5KA1B	-	100V - 120V AC	2x12.5W	5000K	-30°C ~ +45°C	2300lm	SUS316 Stainless Steel
LWJ22SP5KA1E	-	100V - 120V AC	2x12.5W	5000K	-30°C ~ +45°C	2300lm	SUS316 Stainless Steel
LWJ22ZP5KA1S	-	100V - 120V AC	2x12.5W	5000K	-30°C ~ +45°C	2300lm	Zinc Coated Steel
LWJ22ZP5KA1B	-	100V - 120V AC	2x12.5W	5000K	-30°C ~ +45°C	2300lm	Zinc Coated Steel
LWJ22ZP5KA1E	-	100V - 120V AC	2x12.5W	5000K	-30°C ~ +45°C	2300lm	Zinc Coated Steel

Also available in other CCT.

\*Ambient Temperature is not applicable for Battery Backup System and Emergency Lighting.

BH Code	IMPA No.	Main Voltage	Power	CCT	Ambient Temp (Ta)	System Lumen	Housing
LWJ41ZP5KA1S	-	100V - 120V AC	1x24W	5000K	-30°C ~ +45°C	2200lm	Zinc Coated Steel
LWJ41ZP5KA1B	-	100V - 120V AC	1x24W	5000K	-30°C ~ +45°C	2200lm	Zinc Coated Steel
LWJ41ZP5KA1E	-	100V - 120V AC	1x24W	5000K	-30°C ~ +45°C	2200lm	Zinc Coated Steel
LWJ42ZP5KA1S	-	100V - 120V AC	2x24W	5000K	-30°C ~ +45°C	4400lm	Zinc Coated Steel
LWJ42ZP5KA1B	-	100V - 120V AC	2x24W	5000K	-30°C ~ +45°C	4400lm	Zinc Coated Steel
LWJ42ZP5KA1E	-	100V - 120V AC	2x24W	5000K	-30°C ~ +45°C	4400lm	Zinc Coated Steel

Also available in other CCT.

\*Ambient Temperature is not applicable for Battery Backup System and Emergency Lighting.

# LED WATERTIGHT LUMINAIRE



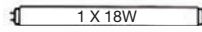
## LWJ SERIES

- S Denotes : Standard lighting
- B Denotes : With 3Hr battery backup
- E Denotes : With DC24V emergency LED

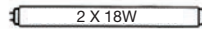
### TECHNICAL SPECIFICATIONS



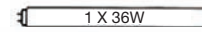
Ideal Replacement:



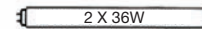
LWJ21 for 1X18W



LWJ22 for 2X18W



LWJ41 for 1X36W



LWJ42 for 2X36W

BH Code	IMPA No.	Main Voltage	Power	CCT	Ambient Temp (Ta)	System Lumen	Housing
LWJ21SP5KA2S	-	220V - 240V AC	1x12.5W	5000K	-30°C ~ +45°C	1150lm	SUS316 Stainless Steel
LWJ21SP5KA2B	-	220V - 240V AC	1x12.5W	5000K	-30°C ~ +45°C	1150lm	SUS316 Stainless Steel
LWJ21SP5KA2E	-	220V - 240V AC	1x12.5W	5000K	-30°C ~ +45°C	1150lm	SUS316 Stainless Steel
LWJ21ZP5KA2S	-	220V - 240V AC	1x12.5W	5000K	-30°C ~ +45°C	1150lm	Zinc Coated Steel
LWJ21ZP5KA2B	-	220V - 240V AC	1x12.5W	5000K	-30°C ~ +45°C	1150lm	Zinc Coated Steel
LWJ21ZP5KA2E	-	220V - 240V AC	1x12.5W	5000K	-30°C ~ +45°C	1150lm	Zinc Coated Steel
LWJ22SP5KA2S	-	220V - 240V AC	2x12.5W	5000K	-30°C ~ +45°C	2300lm	SUS316 Stainless Steel
LWJ22SP5KA2B	-	220V - 240V AC	2x12.5W	5000K	-30°C ~ +45°C	2300lm	SUS316 Stainless Steel
LWJ22SP5KA2E	-	220V - 240V AC	2x12.5W	5000K	-30°C ~ +45°C	2300lm	SUS316 Stainless Steel
LWJ22ZP5KA2S	-	220V - 240V AC	2x12.5W	5000K	-30°C ~ +45°C	2300lm	Zinc Coated Steel
LWJ22ZP5KA2B	-	220V - 240V AC	2x12.5W	5000K	-30°C ~ +45°C	2300lm	Zinc Coated Steel
LWJ22ZP5KA2E	-	220V - 240V AC	2x12.5W	5000K	-30°C ~ +45°C	2300lm	Zinc Coated Steel

Also available in other CCT.

\*Ambient Temperature is not applicable for Battery Backup System and Emergency Lighting.

BH Code	IMPA No.	Main Voltage	Power	CCT	Ambient Temp (Ta)	System Lumen	Housing
LWJ41ZP5KA2S	-	220V - 240V AC	1x24W	5000K	-30°C ~ +45°C	2200lm	Zinc Coated Steel
LWJ41ZP5KA2B	-	220V - 240V AC	1x24W	5000K	-30°C ~ +45°C	2200lm	Zinc Coated Steel
LWJ41ZP5KA2E	-	220V - 240V AC	1x24W	5000K	-30°C ~ +45°C	2200lm	Zinc Coated Steel
LWJ42ZP5KA2S	-	220V - 240V AC	2x24W	5000K	-30°C ~ +45°C	4400lm	Zinc Coated Steel
LWJ42ZP5KA2B	-	220V - 240V AC	2x24W	5000K	-30°C ~ +45°C	4400lm	Zinc Coated Steel
LWJ42ZP5KA2E	-	220V - 240V AC	2x24W	5000K	-30°C ~ +45°C	4400lm	Zinc Coated Steel

Also available in other CCT.

\*Ambient Temperature is not applicable for Battery Backup System and Emergency Lighting.

BH Code	IMPA No.	Main Voltage	Power	CCT	Ambient Temp (Ta)	System Lumen	Housing
LWJ21SP5KD2S	-	24V DC	1x12.5W	5000K	-30°C ~ +45°C	1150lm	SUS316 Stainless Steel
LWJ21ZP5KD2S	-	24V DC	1x12.5W	5000K	-30°C ~ +45°C	1150lm	Zinc Coated Steel
LWJ22SP5KD2S	-	24V DC	2x12.5W	5000K	-30°C ~ +45°C	2300lm	SUS316 Stainless Steel
LWJ22ZP5KD2S	-	24V DC	2x12.5W	5000K	-30°C ~ +45°C	2300lm	Zinc Coated Steel

Also available in other CCT.

Due to our continuous development and product improvement policy, we reserve the rights to revise the specifications of all products without prior notice.

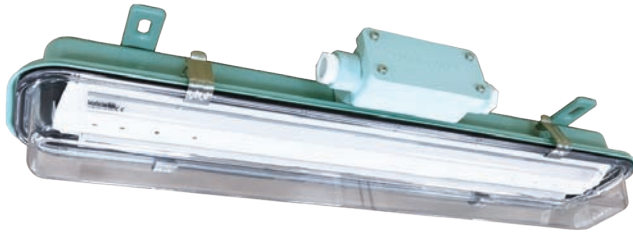


# LED WATERTIGHT LUMINAIRE



## LWJ SERIES (LITE)

3 years warranty



### Key Features

- Built-in with high thermal efficient linear module that allows lighting to operate at ambient temperature of up to 45°C
- Special designed clear polycarbonate diffuser to optimize the LED light transmission
- Long service life of 50,000 hours L70 @ 45°C (Ta)
- Safety, EMC and IEC compliance
- Available with battery backup system and emergency lighting



### Application

Decks, Yards, Coldrooms

### Mounting Method

Surface mounted

### Material

Diffuser: Polycarbonate  
 Housing: SUS316 stainless steel or  
 Zinc coated steel, Powder coated green  
 Optional protection guard: SUS316 stainless steel

### Electrical

Flexible wiring, Heat resistant up to 105°C

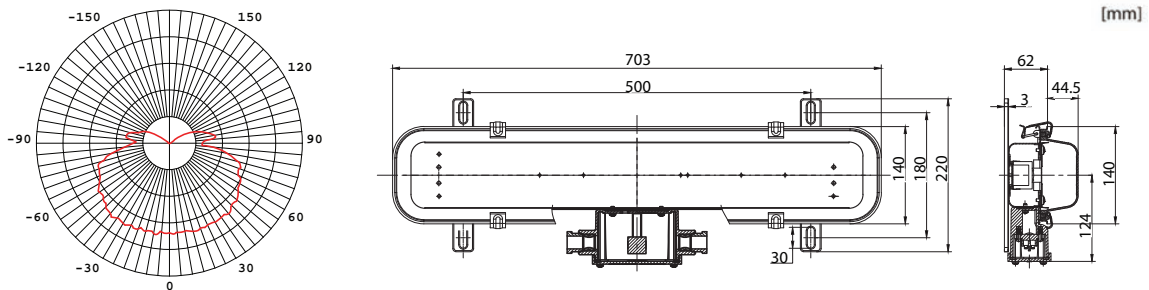
### Options

100V ~ 120V AC  
 220V ~ 240V AC

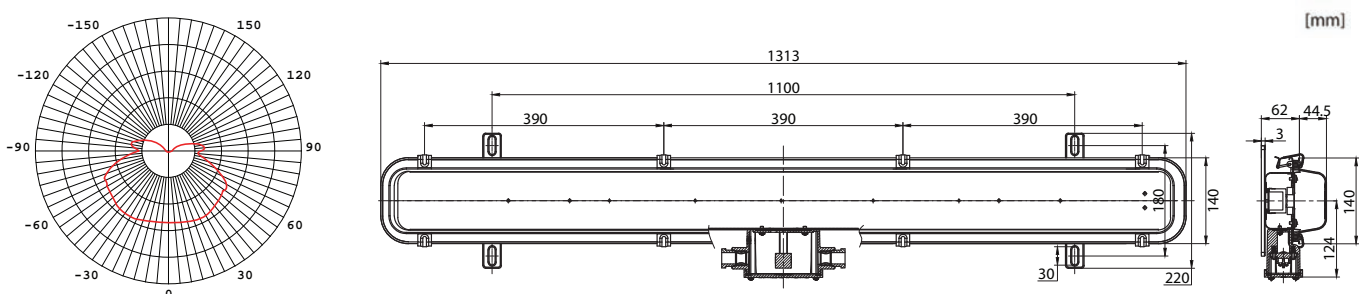
### Weight

LWJ21: 2.6Kg    LWJ22: 2.7Kg  
 LWJ41: 4.8Kg    LWJ42: 5.0Kg  
 With 3Hr emergency backup battery: Add 0.18Kg

### LWJ21/LWJ22



### LWJ41/LWJ42



Due to our continuous development and product improvement policy, we reserve the rights to revise the specifications of all products without prior notice.



# LED WATERTIGHT LUMINAIRE



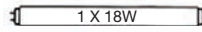
## LWJ SERIES (LITE)

- S Denotes : Standard lighting
- B Denotes : With 3Hr battery backup
- E Denotes : With DC24V emergency LED

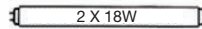
### TECHNICAL SPECIFICATIONS



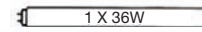
Ideal Replacement:



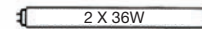
LWJ21 for 1X18W



LWJ22 for 2X18W



LWJ41 for 1X36W



LWJ42 for 2X36W

BH Code	IMPA No.	Main Voltage	Power	CCT	Ambient Temp (Ta)	System Lumen	Housing
LWJ21SX6KA1S	-	100V - 120V AC	1x10W	6500K	-30°C ~ +45°C	1000lm	SUS316 Stainless Steel
LWJ21SX6KA1B	-	100V - 120V AC	1x10W	6500K	-30°C ~ +45°C	1000lm	SUS316 Stainless Steel
LWJ21SX6KA1E	-	100V - 120V AC	1x10W	6500K	-30°C ~ +45°C	1000lm	SUS316 Stainless Steel
LWJ21ZX6KA1S	-	100V - 120V AC	1x10W	6500K	-30°C ~ +45°C	1000lm	Zinc Coated Steel
LWJ21ZX6KA1B	-	100V - 120V AC	1x10W	6500K	-30°C ~ +45°C	1000lm	Zinc Coated Steel
LWJ21ZX6KA1E	-	100V - 120V AC	1x10W	6500K	-30°C ~ +45°C	1000lm	Zinc Coated Steel
LWJ22SX6KA1S	-	100V - 120V AC	2x10W	6500K	-30°C ~ +45°C	2000lm	SUS316 Stainless Steel
LWJ22SX6KA1B	-	100V - 120V AC	2x10W	6500K	-30°C ~ +45°C	2000lm	SUS316 Stainless Steel
LWJ22SX6KA1E	-	100V - 120V AC	2x10W	6500K	-30°C ~ +45°C	2000lm	SUS316 Stainless Steel
LWJ22ZX6KA1S	-	100V - 120V AC	2x10W	6500K	-30°C ~ +45°C	2000lm	Zinc Coated Steel
LWJ22ZX6KA1B	-	100V - 120V AC	2x10W	6500K	-30°C ~ +45°C	2000lm	Zinc Coated Steel
LWJ22ZX6KA1E	-	100V - 120V AC	2x10W	6500K	-30°C ~ +45°C	2000lm	Zinc Coated Steel

Also available in other CCT.

\*Ambient Temperature is not applicable for Battery Backup System and Emergency Lighting.

BH Code	IMPA No.	Main Voltage	Power	CCT	Ambient Temp (Ta)	System Lumen	Housing
LWJ41ZX6KA1S	-	100V - 120V AC	1x20W	6500K	-30°C ~ +45°C	2000lm	Zinc Coated Steel
LWJ41ZX6KA1B	-	100V - 120V AC	1x20W	6500K	-30°C ~ +45°C	2000lm	Zinc Coated Steel
LWJ41ZX6KA1E	-	100V - 120V AC	1x20W	6500K	-30°C ~ +45°C	2000lm	Zinc Coated Steel
LWJ42ZX6KA1S	-	100V - 120V AC	2x20W	6500K	-30°C ~ +45°C	4000lm	Zinc Coated Steel
LWJ42ZX6KA1B	-	100V - 120V AC	2x20W	6500K	-30°C ~ +45°C	4000lm	Zinc Coated Steel
LWJ42ZX6KA1E	-	100V - 120V AC	2x20W	6500K	-30°C ~ +45°C	4000lm	Zinc Coated Steel

Also available in other CCT.

\*Ambient Temperature is not applicable for Battery Backup System and Emergency Lighting.

# LED WATERTIGHT LUMINAIRE



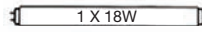
## LWJ SERIES (LITE)

- S Denotes : Standard lighting
- B Denotes : With 3Hr battery backup
- E Denotes : With DC24V emergency LED

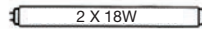
### TECHNICAL SPECIFICATIONS



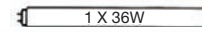
Ideal Replacement:



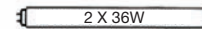
LWJ21 for 1X18W



LWJ22 for 2X18W



LWJ41 for 1X36W



LWJ42 for 2X36W

BH Code	IMPA No.	Main Voltage	Power	CCT	Ambient Temp (Ta)	System Lumen	Housing
LWJ21SX6KA2S	791917	220V - 240V AC	1x10W	6500K	-30°C ~ +45°C	1000lm	SUS316 Stainless Steel
LWJ21SX6KA2B	-	220V - 240V AC	1x10W	6500K	-30°C ~ +45°C	1000lm	SUS316 Stainless Steel
LWJ21SX6KA2E	-	220V - 240V AC	1x10W	6500K	-30°C ~ +45°C	1000lm	SUS316 Stainless Steel
LWJ21ZX6KA2S	791915	220V - 240V AC	1x10W	6500K	-30°C ~ +45°C	1000lm	Zinc Coated Steel
LWJ21ZX6KA2B	-	220V - 240V AC	1x10W	6500K	-30°C ~ +45°C	1000lm	Zinc Coated Steel
LWJ21ZX6KA2E	-	220V - 240V AC	1x10W	6500K	-30°C ~ +45°C	1000lm	Zinc Coated Steel
LWJ22SX6KA2S	791918	220V - 240V AC	2x10W	6500K	-30°C ~ +45°C	2000lm	SUS316 Stainless Steel
LWJ22SX6KA2B	-	220V - 240V AC	2x10W	6500K	-30°C ~ +45°C	2000lm	SUS316 Stainless Steel
LWJ22SX6KA2E	-	220V - 240V AC	2x10W	6500K	-30°C ~ +45°C	2000lm	SUS316 Stainless Steel
LWJ22ZX6KA2S	791916	220V - 240V AC	2x10W	6500K	-30°C ~ +45°C	2000lm	Zinc Coated Steel
LWJ22ZX6KA2B	-	220V - 240V AC	2x10W	6500K	-30°C ~ +45°C	2000lm	Zinc Coated Steel
LWJ22ZX6KA2E	-	220V - 240V AC	2x10W	6500K	-30°C ~ +45°C	2000lm	Zinc Coated Steel

Also available in other CCT.

\*Ambient Temperature is not applicable for Battery Backup System and Emergency Lighting.

BH Code	IMPA No.	Main Voltage	Power	CCT	Ambient Temp (Ta)	System Lumen	Housing
LWJ41ZX6KA2S	791919	220V - 240V AC	1x20W	6500K	-30°C ~ +45°C	2000lm	Zinc Coated Steel
LWJ41ZX6KA2B	-	220V - 240V AC	1x20W	6500K	-30°C ~ +45°C	2000lm	Zinc Coated Steel
LWJ41ZX6KA2E	-	220V - 240V AC	1x20W	6500K	-30°C ~ +45°C	2000lm	Zinc Coated Steel
LWJ42ZX6KA2S	791920	220V - 240V AC	2x20W	6500K	-30°C ~ +45°C	4000lm	Zinc Coated Steel
LWJ42ZX6KA2B	-	220V - 240V AC	2x20W	6500K	-30°C ~ +45°C	4000lm	Zinc Coated Steel
LWJ42ZX6KA2E	-	220V - 240V AC	2x20W	6500K	-30°C ~ +45°C	4000lm	Zinc Coated Steel

Also available in other CCT.

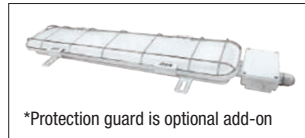
\*Ambient Temperature is not applicable for Battery Backup System and Emergency Lighting.

# LED WATERTIGHT LINEAR LUMINAIRE



## LWM SERIES

5 years warranty



### Key Features

- Super thin light weight design
- Superior thermal design to allow the luminaire to operate at high ambient temperature up to 60°C, suitable for usage even in hot engine room
- Designed with reliable AC driver on board to enhance the service life
- Designed with junction box for fast termination
- Polycarbonate diffuser prevents glare for better eye comfort
- Supports dual voltage AC100V-120V / 220V-240V. Option for DC20V-32V available
- Long service life of 50,000 hours @ 50°C (Ta)
- Marine class compliance



### Application

Decks, Engine rooms, Marinas, Docks, Ports, Warehouses

### Mounting Method

Surface mounted

### Material

Diffuser: Polycarbonate  
Housing: Zinc coated steel or SUS316 stainless steel, Powder coated white  
Optional protection guard: SUS316 stainless steel

### Electrical

Flexible wiring, Heat resistant up to 80°C

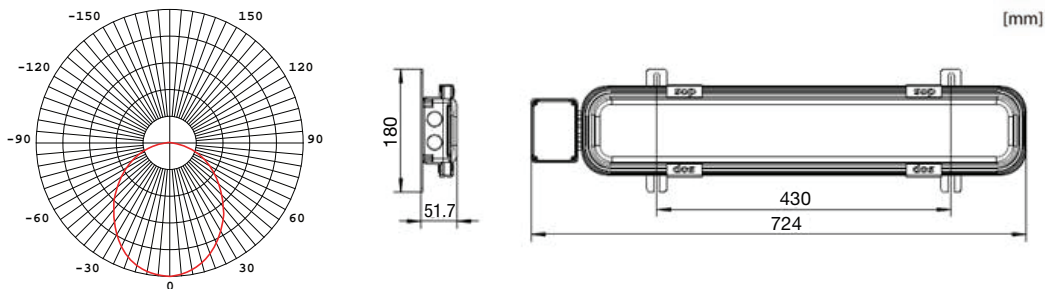
### Options

20V-32V DC

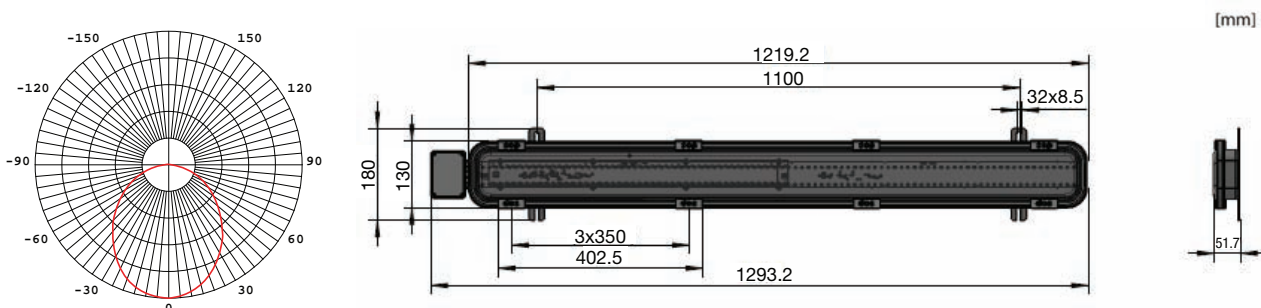
### Weight

LWM20 (ZCS): 2.0Kg LWM20 (SUS316): 2.1Kg  
LWM40 (ZCS): 3.7Kg LWM40 (SUS316): 3.8Kg  
With 2nd Junction Box: Add 0.2Kg  
With LWM20 Protection Guard: Add 0.2Kg  
With LWM40 Protection Guard: Add 0.4Kg

### LWM20



### LWM40



Due to our continuous development and product improvement policy, we reserve the rights to revise the specifications of all products without prior notice.



# LED WATERTIGHT LINEAR LUMINAIRE

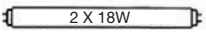


## LWM SERIES

- 1\*\*\*\*S Denotes : Standard lighting with 1 junction box
- 1\*\*\*\*B Denotes : With 3Hr NiMH battery backup & 1 junction box
- 1\*\*\*\*E Denotes : With DC24V emergency LED & 1 junction box

## TECHNICAL SPECIFICATIONS

IP 66

Ideal Replacement: 

BH Code	IMPA No.	Main Voltage	Power	CCT	Ambient Temp (Ta)	System Lumen	Housing
LWM20S15KA3S	791983	100V - 120V / 220V - 240V AC	20W	5000K	-30°C ~ +60°C	2000lm	SUS316 Stainless Steel
LWM20GS15KA3S	-	100V - 120V / 220V - 240V AC	20W	5000K	-30°C ~ +60°C	2000lm	SUS316 Stainless Steel
LWM20S15KA3B	-	100V - 120V / 220V - 240V AC	20W	5000K	-30°C ~ +60°C	2000lm	SUS316 Stainless Steel
LWM20GS15KA3B	-	100V - 120V / 220V - 240V AC	20W	5000K	-30°C ~ +60°C	2000lm	SUS316 Stainless Steel
LWM20S15KA3E	-	100V - 120V / 220V - 240V AC	20W	5000K	-30°C ~ +60°C	2000lm	SUS316 Stainless Steel
LWM20GS15KA3E	-	100V - 120V / 220V - 240V AC	20W	5000K	-30°C ~ +60°C	2000lm	SUS316 Stainless Steel
LWM20Z15KA3S	791981	100V - 120V / 220V - 240V AC	20W	5000K	-30°C ~ +60°C	2000lm	Zinc Coated Steel
LWM20GZ15KA3S	-	100V - 120V / 220V - 240V AC	20W	5000K	-30°C ~ +60°C	2000lm	Zinc Coated Steel
LWM20Z15KA3B	-	100V - 120V / 220V - 240V AC	20W	5000K	-30°C ~ +60°C	2000lm	Zinc Coated Steel
LWM20GZ15KA3B	-	100V - 120V / 220V - 240V AC	20W	5000K	-30°C ~ +60°C	2000lm	Zinc Coated Steel
LWM20Z15KA3E	-	100V - 120V / 220V - 240V AC	20W	5000K	-30°C ~ +60°C	2000lm	Zinc Coated Steel
LWM20GZ15KA3E	-	100V - 120V / 220V - 240V AC	20W	5000K	-30°C ~ +60°C	2000lm	Zinc Coated Steel
LWM20Z15KD2S	-	20V - 32V DC	22W	5000K	-30°C ~ +60°C	2200lm	Zinc Coated Steel
LWM20GZ15KD2S	-	20V - 32V DC	22W	5000K	-30°C ~ +60°C	2200lm	Zinc Coated Steel
LWM20Z15KD2E	-	20V - 32V DC	22W	5000K	-30°C ~ +60°C	2200lm	Zinc Coated Steel

Also available in other CCT.

\*Ambient Temperature is not applicable for the 3Hr NiMH Battery Backup System and Emergency Lighting.

\*\*Optional 93x68x39.5mm 3Hr NiMH Battery Backup module or Emergency Lighting module is installed on the junction box to IP67 rating.

\*\*\*A "G" added to indicate luminaire with SUS316 stainless steel protection guard.

# LED WATERTIGHT LINEAR LUMINAIRE

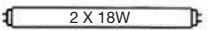


## LWM SERIES

- 2\*\*\*\*S Denotes : Standard lighting with 2 junction box
- 2\*\*\*\*B Denotes : With 3Hr NiMH battery backup & 2 junction box
- 2\*\*\*\*E Denotes : With DC24V emergency LED & 2 junction box

## TECHNICAL SPECIFICATIONS

IP 66

Ideal Replacement: 

BH Code	IMPA No.	Main Voltage	Power	CCT	Ambient Temp (Ta)	System Lumen	Housing
LWM20S25KA3S	-	100V - 120V / 220V - 240V AC	20W	5000K	-30°C ~ +60°C	2000lm	SUS316 Stainless Steel
LWM20GS25KA3S	-	100V - 120V / 220V - 240V AC	20W	5000K	-30°C ~ +60°C	2000lm	SUS316 Stainless Steel
LWM20S25KA3B	-	100V - 120V / 220V - 240V AC	20W	5000K	-30°C ~ +60°C	2000lm	SUS316 Stainless Steel
LWM20GS25KA3B	-	100V - 120V / 220V - 240V AC	20W	5000K	-30°C ~ +60°C	2000lm	SUS316 Stainless Steel
LWM20S25KA3E	-	100V - 120V / 220V - 240V AC	20W	5000K	-30°C ~ +60°C	2000lm	SUS316 Stainless Steel
LWM20GS25KA3E	-	100V - 120V / 220V - 240V AC	20W	5000K	-30°C ~ +60°C	2000lm	SUS316 Stainless Steel
LWM20Z25KA3S	-	100V - 120V / 220V - 240V AC	20W	5000K	-30°C ~ +60°C	2000lm	Zinc Coated Steel
LWM20GZ25KA3S	-	100V - 120V / 220V - 240V AC	20W	5000K	-30°C ~ +60°C	2000lm	Zinc Coated Steel
LWM20Z25KA3B	-	100V - 120V / 220V - 240V AC	20W	5000K	-30°C ~ +60°C	2000lm	Zinc Coated Steel
LWM20GZ25KA3B	-	100V - 120V / 220V - 240V AC	20W	5000K	-30°C ~ +60°C	2000lm	Zinc Coated Steel
LWM20Z25KA3E	-	100V - 120V / 220V - 240V AC	20W	5000K	-30°C ~ +60°C	2000lm	Zinc Coated Steel
LWM20GZ25KA3E	-	100V - 120V / 220V - 240V AC	20W	5000K	-30°C ~ +60°C	2000lm	Zinc Coated Steel

Also available in other CCT.

\*Ambient Temperature is not applicable for the 3Hr NiMH Battery Backup System and Emergency Lighting.

\*\*Optional 93x68x39.5mm 3Hr NiMH Battery Backup module or Emergency Lighting module is installed on the junction box to IP67 rating.

\*\*\*A "G" added to indicate luminaire with SUS316 stainless steel protection guard.

# LED WATERTIGHT LINEAR LUMINAIRE



## LWM SERIES

- 1\*\*\*\*S Denotes : Standard lighting with 1 junction box
- 1\*\*\*\*B Denotes : With 3Hr NiMH battery backup & 1 junction box
- 1\*\*\*\*E Denotes : With DC24V emergency LED & 1 junction box

- 2\*\*\*\*S Denotes : Standard lighting with 2 junction box
- 2\*\*\*\*B Denotes : With 3Hr NiMH battery backup & 2 junction box
- 2\*\*\*\*E Denotes : With DC24V emergency LED & 2 junction box

## TECHNICAL SPECIFICATIONS

IP 66

Ideal Replacement:

BH Code	IMPA No.	Main Voltage	Power	CCT	Ambient Temp (Ta)	System Lumen	Housing
LWM40S15KA3S	791984	100V - 120V / 220V - 240V AC	40W	5000K	-30°C ~ +60°C	4000lm	SUS316 Stainless Steel
LWM40S15KA3B	-	100V - 120V / 220V - 240V AC	40W	5000K	-30°C ~ +60°C	4000lm	SUS316 Stainless Steel
LWM40S15KA3E	-	100V - 120V / 220V - 240V AC	40W	5000K	-30°C ~ +60°C	4000lm	SUS316 Stainless Steel
LWM40Z15KA3S	791982	100V - 120V / 220V - 240V AC	40W	5000K	-30°C ~ +60°C	4000lm	Zinc Coated Steel
LWM40Z15KA3B	-	100V - 120V / 220V - 240V AC	40W	5000K	-30°C ~ +60°C	4000lm	Zinc Coated Steel
LWM40Z15KA3E	-	100V - 120V / 220V - 240V AC	40W	5000K	-30°C ~ +60°C	4000lm	Zinc Coated Steel

Also available in other CCT.

\*Ambient Temperature is not applicable for the 3Hr NiMH Battery Backup System and Emergency Lighting.

\*\*Optional 93x68x39.5mm 3Hr NiMH Battery Backup module or Emergency Lighting module is installed on the junction box to IP67 rating.

BH Code	IMPA No.	Main Voltage	Power	CCT	Ambient Temp (Ta)	System Lumen	Housing
LWM40S25KA3S	-	100V - 120V / 220V - 240V AC	40W	5000K	-30°C ~ +60°C	4000lm	SUS316 Stainless Steel
LWM40S25KA3B	-	100V - 120V / 220V - 240V AC	40W	5000K	-30°C ~ +60°C	4000lm	SUS316 Stainless Steel
LWM40S25KA3E	-	100V - 120V / 220V - 240V AC	40W	5000K	-30°C ~ +60°C	4000lm	SUS316 Stainless Steel
LWM40Z25KA3S	-	100V - 120V / 220V - 240V AC	40W	5000K	-30°C ~ +60°C	4000lm	Zinc Coated Steel
LWM40Z25KA3B	-	100V - 120V / 220V - 240V AC	40W	5000K	-30°C ~ +60°C	4000lm	Zinc Coated Steel
LWM40Z25KA3E	-	100V - 120V / 220V - 240V AC	40W	5000K	-30°C ~ +60°C	4000lm	Zinc Coated Steel

Also available in other CCT.

\*Ambient Temperature is not applicable for the 3Hr NiMH Battery Backup System and Emergency Lighting.

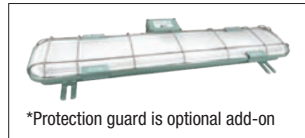
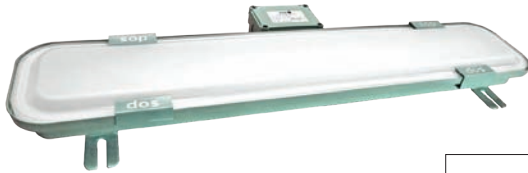
\*\*Optional 93x68x39.5mm 3Hr NiMH Battery Backup module or Emergency Lighting module is installed on the junction box to IP67 rating.

# LED WATERTIGHT LINEAR LUMINAIRE



## LWM SERIES

5 years warranty



### Key Features

- Super thin light weight design
- Superior thermal design to allow the luminaire to operate at high ambient temperature up to 60°C, suitable for usage even in hot engine room
- Designed with reliable AC driver on board to enhance the service life
- Designed with junction box for fast termination
- Polycarbonate diffuser prevents glare for better eye comfort
- Supports dual voltage AC100V-120V / 220V-240V. Option for DC20V-32V available
- Long service life of 50,000 hours @ 50°C (Ta)
- Marine class compliance



### Application

Decks, Engine rooms, Marinas, Docks, Ports, Warehouses

### Mounting Method

Surface mounted

### Material

Diffuser: Polycarbonate  
Housing: Zinc coated steel or SUS316 stainless steel, Powder coated green  
Optional protection guard: SUS316 stainless steel

### Electrical

Flexible wiring, Heat resistant up to 80°C

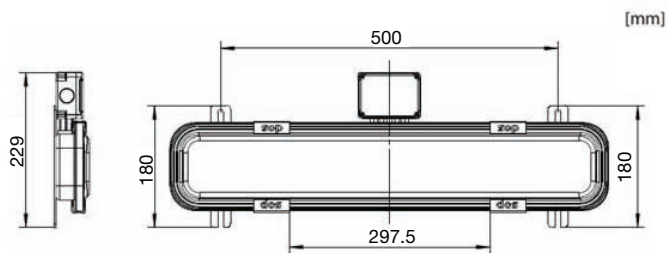
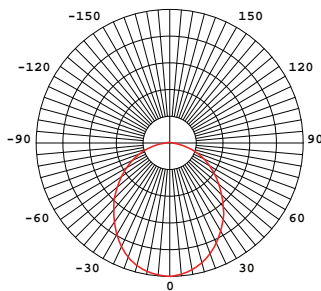
### Options

20V-32V DC

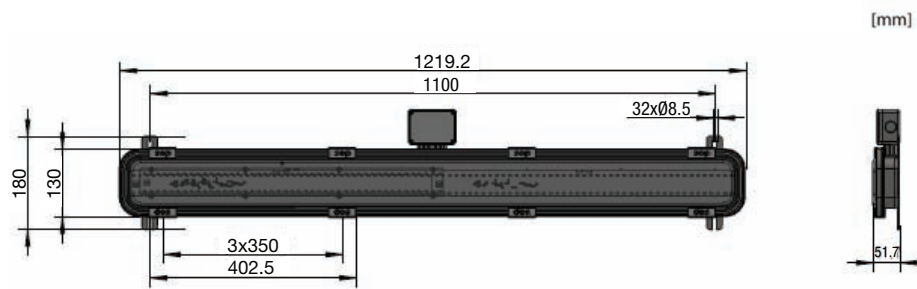
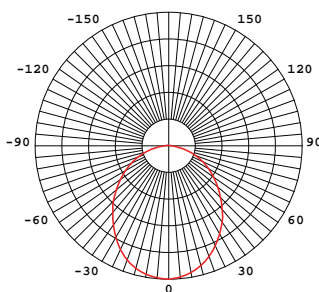
### Weight

LWM20 (ZCS): 2.0Kg    LWM20 (SUS316): 2.1Kg  
LWM40 (ZCS): 3.7Kg    LWM40 (SUS316): 3.8Kg  
With 2nd Junction Box: Add 0.2Kg  
With LWM20 Protection Guard: Add 0.2Kg  
With LWM40 Protection Guard: Add 0.4Kg

### LWM20



### LWM40



Due to our continuous development and product improvement policy, we reserve the rights to revise the specifications of all products without prior notice.



# LED WATERTIGHT LINEAR LUMINAIRE



## LWM SERIES

- S Denotes : Standard lighting
- B Denotes : With 3Hr NiMH battery backup
- E Denotes : With DC24V emergency LED

## TECHNICAL SPECIFICATIONS IP 66

Ideal Replacement: 2 X 18W

BH Code	IMPA No.	Main Voltage	Power	CCT	Ambient Temp (Ta)	System Lumen	Housing
LWM20S35KA3S	791987	100V - 120V / 220V - 240V AC	20W	5000K	-30°C ~ +60°C	2000lm	SUS316 Stainless Steel
LWM20GS35KA3S	-	100V - 120V / 220V - 240V AC	20W	5000K	-30°C ~ +60°C	2000lm	SUS316 Stainless Steel
LWM20S35KA3B	-	100V - 120V / 220V - 240V AC	20W	5000K	-30°C ~ +60°C	2000lm	SUS316 Stainless Steel
LWM20GS35KA3B	-	100V - 120V / 220V - 240V AC	20W	5000K	-30°C ~ +60°C	2000lm	SUS316 Stainless Steel
LWM20S35KA3E	-	100V - 120V / 220V - 240V AC	20W	5000K	-30°C ~ +60°C	2000lm	SUS316 Stainless Steel
LWM20GS35KA3E	-	100V - 120V / 220V - 240V AC	20W	5000K	-30°C ~ +60°C	2000lm	SUS316 Stainless Steel
LWM20Z35KA3S	791985	100V - 120V / 220V - 240V AC	20W	5000K	-30°C ~ +60°C	2000lm	Zinc Coated Steel
LWM20GZ35KA3S	-	100V - 120V / 220V - 240V AC	20W	5000K	-30°C ~ +60°C	2000lm	Zinc Coated Steel
LWM20Z35KA3B	-	100V - 120V / 220V - 240V AC	20W	5000K	-30°C ~ +60°C	2000lm	Zinc Coated Steel
LWM20GZ35KA3B	-	100V - 120V / 220V - 240V AC	20W	5000K	-30°C ~ +60°C	2000lm	Zinc Coated Steel
LWM20Z35KA3E	-	100V - 120V / 220V - 240V AC	20W	5000K	-30°C ~ +60°C	2000lm	Zinc Coated Steel
LWM20GZ35KA3E	-	100V - 120V / 220V - 240V AC	20W	5000K	-30°C ~ +60°C	2000lm	Zinc Coated Steel
LWM20Z35KD2S	-	20V - 32V DC	22W	5000K	-30°C ~ +60°C	2200lm	Zinc Coated Steel
LWM20GZ35KD2S	-	20V - 32V DC	22W	5000K	-30°C ~ +60°C	2200lm	Zinc Coated Steel

Also available in other CCT.

\*Ambient Temperature is not applicable for the 3Hr NiMH Battery Backup System and Emergency Lighting.

\*\*Optional 93×68×39.5mm 3Hr NiMH Battery Backup module or Emergency Lighting module is installed on the junction box to IP67 rating.

\*\*\*A "G" added to indicate luminaire with SUS316 stainless steel protection guard.

# LED WATERTIGHT LINEAR LUMINAIRE



## LWM SERIES

- S Denotes : Standard lighting
- B Denotes : With 3Hr NiMH battery backup
- E Denotes : With DC24V emergency LED

### TECHNICAL SPECIFICATIONS

IP 66

Ideal Replacement: 2 X 36W

BH Code	IMPA No.	Main Voltage	Power	CCT	Ambient Temp (Ta)	System Lumen	Housing
LWM40S35KA3S	791988	100V - 120V / 220V - 240V AC	40W	5000K	-30°C ~ +60°C	4000lm	SUS316 Stainless Steel
LWM40S35KA3B	-	100V - 120V / 220V - 240V AC	40W	5000K	-30°C ~ +60°C	4000lm	SUS316 Stainless Steel
LWM40S35KA3E	-	100V - 120V / 220V - 240V AC	40W	5000K	-30°C ~ +60°C	4000lm	SUS316 Stainless Steel
LWM40Z35KA3S	791986	100V - 120V / 220V - 240V AC	40W	5000K	-30°C ~ +60°C	4000lm	Zinc Coated Steel
LWM40Z35KA3B	-	100V - 120V / 220V - 240V AC	40W	5000K	-30°C ~ +60°C	4000lm	Zinc Coated Steel
LWM40Z35KA3E	-	100V - 120V / 220V - 240V AC	40W	5000K	-30°C ~ +60°C	4000lm	Zinc Coated Steel

Also available in other CCT.

\*Ambient Temperature is not applicable for the 3Hr NiMH Battery Backup System and Emergency Lighting.

\*\*Optional 93x68x39.5mm 3Hr NiMH Battery Backup module or Emergency Lighting module is installed on the junction box to IP67 rating.

# LED AIRTIGHT LUMINAIRE



## AT SERIES

3 years warranty



### Key Features

- Triac dimming compatible
- Special designed polycarbonate diffuser to optimize the LED light transmission
- Slim profile design that is easily mounted to provide illumination performance while using significantly less energy
- Long service life of 50,000 hours L70 @ 40°C (Ta)
- Safety, EMC and IEC compliance

### Application

Open decks, Deck rails

### Material

Polycarbonate diffuser and end cap

### Electrical

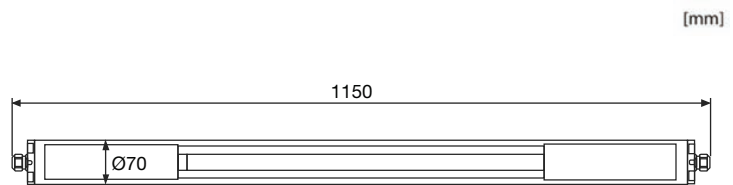
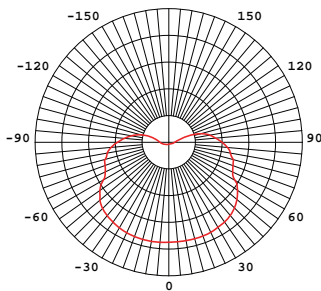
Flexible wiring, Heat resistance up to 105°C

### Options

100V ~ 120V AC

### Weight

3.3Kg



## TECHNICAL SPECIFICATIONS IP 68

Ideal Replacement:

BH Code	IMPA No.	Voltage	Power	CCT	Ambient Temp (Ta)	System Lumen
IGLATA4110A1	-	100V - 120V AC	1x12.5W	5000K	-20°C ~ +40°C	970lm
IGLATA4110	-	220V - 240V AC	1x12.5W	5000K	-20°C ~ +40°C	970lm

Also available in other CCT.

# LED PORTABLE WORK LIGHT



## LGP SERIES

3 years warranty



### Key Features

- Complete solution with heat sink, driver and polycarbonate diffuser
- Triac dimming compatible (220-240VAC & 100V-120VAC only)
- Vibration-resistant
- Alternative to 100W incandescent bulb
- Energy savings of up to 90% compared to 100W incandescent bulb
- Long service life of 50,000 hours L70 @ 45°C (Ta)
- Safety, EMC and IEC compliance



### Application

Engine rooms, Low visibility areas, Decks, Warehouses, Yards

### Material

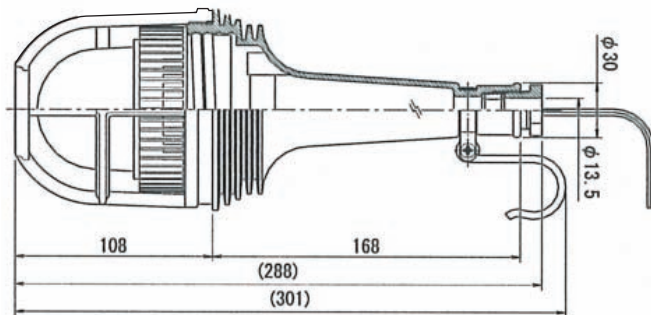
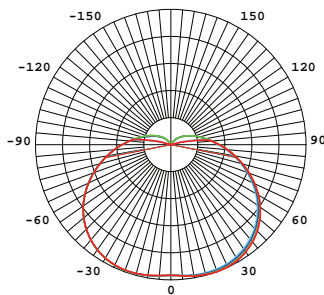
Marine grade aluminium alloy with powder coating and polycarbonate body, diffuser and guard

### Options

Polycarbonate clear guard (PC)  
Polycarbonate red guard (PR)

### Weight

1.0Kg



[mm]

## TECHNICAL SPECIFICATIONS IP 56

- PC Denotes : Polycarbonate clear guard
- PR Denotes : Polycarbonate red guard

Ideal Replacement:

BH Code	IMPA No.	Main Voltage	Power	CCT	Beam Angle	Ambient Temp (Ta)	System Lumen
LGP13A225KPC	792177	220V - 240V AC	13W	5000K	160°	-40°C ~ +45°C	900lm
LGP12A115KPC	792176	100V - 120V AC	12W	5000K	160°	-40°C ~ +45°C	900lm
LGP10D245KPC	792175	24V DC	10W	5000K	160°	-40°C ~ +45°C	950lm
LGP10D245KPR	-	24V DC	10W	5000K	160°	-40°C ~ +45°C	950lm

Also available in other CCT.

Due to our continuous development and product improvement policy, we reserve the rights to revise the specifications of all products without prior notice.



# LED PORTABLE WORK LIGHT



## LGP SERIES

3 years warranty



### Key Features

- Complete solution with heat sink, driver and polycarbonate diffuser
- Vibration-resistant
- Alternative to 300W incandescent bulb
- Energy savings of up to 90% compared to 300W incandescent bulb
- Long service life of 30,000 hours L70 @ 45°C (Ta)
- Safety, EMC and IEC compliance



### Application

Engine rooms, Low visibility areas, Decks, Warehouses, Yards

### Material

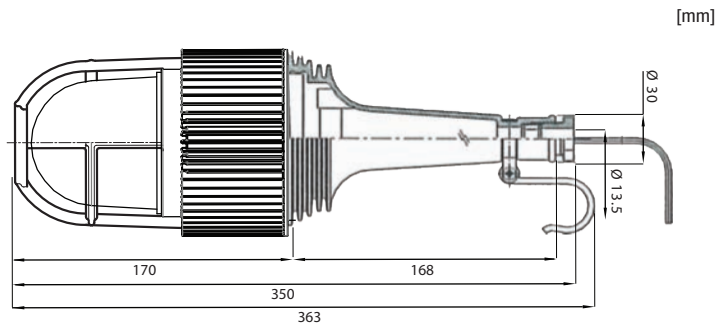
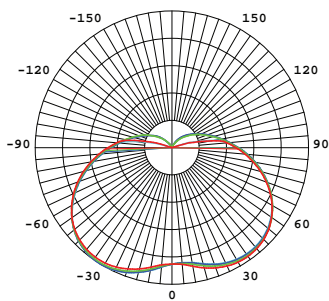
Marine grade aluminium alloy with powder coating and polycarbonate body, diffuser and guard

### Options

Polycarbonate clear guard (PC)  
Polycarbonate red guard (PR)

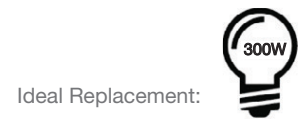
### Weight

1.5Kg



## TECHNICAL SPECIFICATIONS IP 56

- PC Denotes : Polycarbonate clear guard
- PR Denotes : Polycarbonate red guard



BH Code	IMPA No.	Main Voltage	Power	CCT	Beam Angle	Ambient Temp (Ta)	System Lumen
LGP30AD25KPC	792185	100V - 240V AC/DC	30W	5000K	180°	-40°C ~ +45°C	2900lm
LGP30AD25KPR	792186	100V - 240V AC/DC	30W	5000K	180°	-40°C ~ +45°C	2900lm

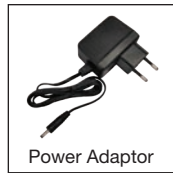
Also available in other CCT.

# RECHARGEABLE LED PORTABLE FLOODLIGHT



## MX3 SERIES

3 years warranty



### Key Features

- High performance COB LED with rechargeable lithium ion battery
- 5-step dimming
- Compact and lightweight
- Vibration and impact resistant
- 50,000 hours LED lifespan, battery life up to 500 charges
- USB power bank function for emergency charging of mobile devices
- Indicator lights show battery level and charging status
- Swivel stand can rotate 180°
- Safety compliance, RoHS.

### Application

Decks, Marinas, Docks, Ports, Warehouses

### Material

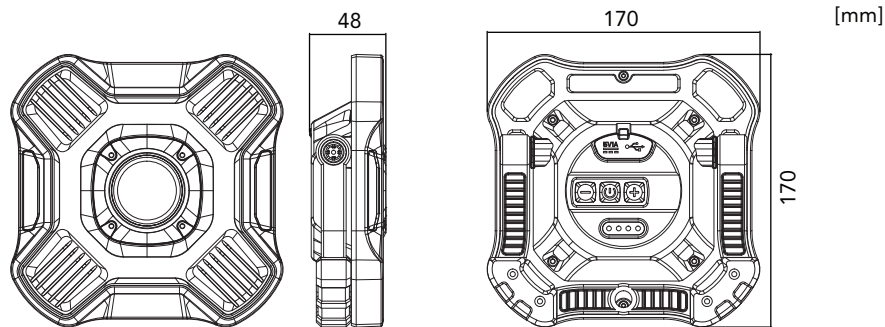
Aluminium alloy LED front frame, polycarbonate diffuser and ABS plastic housing

### Protection Class

IP54

### Weight

0.7Kg



## TECHNICAL SPECIFICATIONS IP 54

BH Code	IMPA No.	Main Voltage	Power	CCT	Charging Time	Ambient Temp (Ta)	System Lumen
LAMX3FA	791878	100V - 240V AC	20W	5000K	6 hrs	-20°C ~ +50°C	2600lm

### DIMMING SETTINGS

Brightness level	100%	80%	60%	40%	20%
Lumens output	2600lm	2080 lm	1560 lm	1040 lm	520lm
Light run-time	1.5 hrs	2 hrs	5 hrs	7 hrs	9 hrs

Due to our continuous development and product improvement policy, we reserve the rights to revise the specifications of all products without prior notice.



# RECHARGEABLE LED PORTABLE FLOODLIGHT



## MX5 SERIES

3 years warranty



### Key Features

- High performance COB LED with rechargeable lithium ion battery
- 7-step dimming
- Compact and lightweight
- Vibration and impact resistant
- 50,000 hours LED lifespan, battery life up to 500 charges
- USB power bank function for emergency charging of mobile devices
- Indicator lights show battery level and charging status
- Swivel stand can rotate 180°
- Safety compliance, RoHS.

### Application

Decks, Marinas, Docks, Ports, Warehouses

### Material

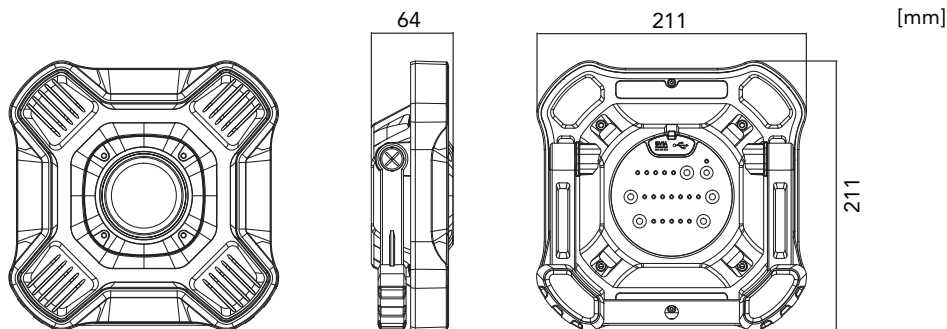
Aluminium alloy LED front frame, polycarbonate diffuser and ABS plastic housing

### Protection Class

IP54

### Weight

1.5Kg



## TECHNICAL SPECIFICATIONS IP 54

BH Code	IMPA No.	Main Voltage	Power	CCT	Charging Time	Ambient Temp (Ta)	System Lumen
LAMX5FA	791879	100V - 240V AC	40W	5000K	3 hrs	-20°C ~ +50°C	5000lm

### DIMMING SETTINGS

Brightness level	100%	86%	72%	58%	44%	30%	16%
Lumens output	5000lm	4300lm	3600lm	2900lm	2200lm	1500lm	800lm
Light run-time	2 hrs	2.3 hrs	2.7 hrs	3.4 hrs	4.5hrs	6.5hrs	12 hrs

Due to our continuous development and product improvement policy, we reserve the rights to revise the specifications of all products without prior notice.



# RECHARGEABLE LED PORTABLE WORK LIGHT



## MS3 SERIES

3 years warranty



### Key Features

- Heavy duty COB LED
- Lithium ion battery rechargeable by 5V 1A Micro USB port (power adaptor included)
- 2-step dimming + torch mode (LED at the top)
- Ultra-compact and lightweight
- Vibration and impact resistant
- Hanger hook and magnetic base for easy mounting
- 50,000 hours LED lifespan, battery life up to 500 charges
- Indicator light turns red when power is low
- Safety compliance, RoHS.

### Application

Engine rooms, Low visibility areas, Decks, Warehouses, Yards

### Material

Aluminium alloy handle, polycarbonate diffuser and thermoplastic rubber at both ends for impact protection

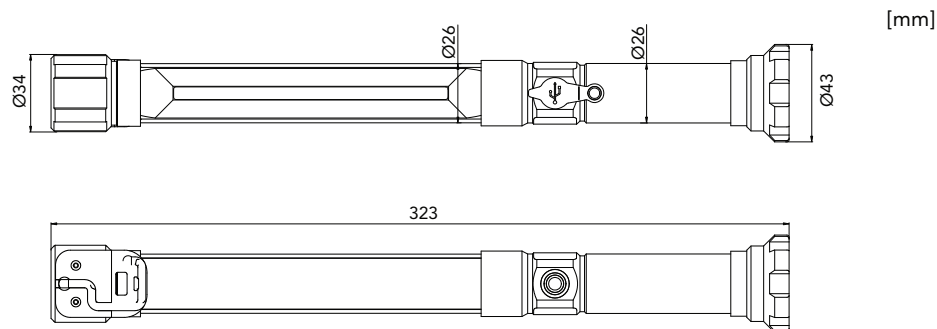
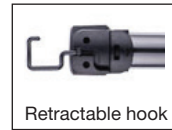
### Protection Class

IP54

### Weight

0.3Kg

### Mounting Method



## TECHNICAL SPECIFICATIONS IP 54

BH Code	IMPA No.	Main Voltage	Power	CCT	Charging Time	Ambient Temp (Ta)	System Lumen
LAMS3A	792155	100V - 240V AC	3W	5000K	3 hrs	-20°C ~ +50°C	300lm

### DIMMING SETTINGS

Brightness level	100%	30%	Torch mode
Lumens output	300lm	100lm	50lm
Light run-time	2.5 hrs	10 hrs	24 hrs

Due to our continuous development and product improvement policy, we reserve the rights to revise the specifications of all products without prior notice.



# LED PANEL LIGHT



## PL 353353 SERIES

5 years warranty



### Key Features

- Easy installation with no external drivers needed
- Super slim design for surface mounted application
- High-efficiency constant current driver
- 70% more energy-efficient compared to 1X18W fluorescent lighting system
- Long service life of 50,000 hours L70 @ 40°C (Ta)
- Safety, EMC and IEC compliance



### Application

Cabins, Passageways, Galleys, Cafeterias

### Material

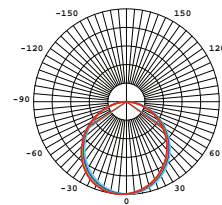
Marine grade aluminium, comes with high-efficiency light guide

### Electrical

Flexible wiring, Heat resistant up to 80°C

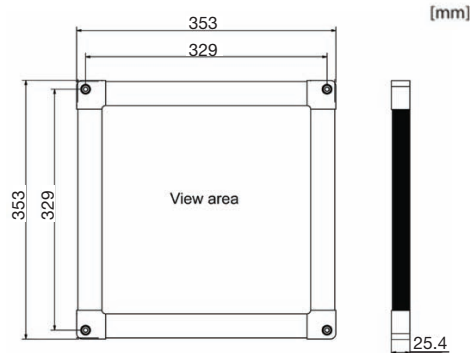
### Weight

2.7Kg



Height	AVR E	Diameter
1.00m	97.35lx	280.75cm
2.00m	24.34lx	561.50cm
3.00m	10.82lx	842.26cm
4.00m	6.08lx	1123.01cm
5.00m	3.89lx	1403.76cm

Angle: 109.1°



## TECHNICAL SPECIFICATIONS



BH Code	IMPA No.	IP Rating	Main Voltage	Power	CCT	Driving Current	CRI Index	Ambient Temp (Ta)	System Lumen
LAP353353A	791953	IP22	100V - 240V AC	10W	4000K	350mA	80	-20°C ~ +40°C	850lm
LAPW353353A	-	IP44							

BH Code	IMPA No.	IP Rating	Main Voltage	Power	CCT	Driving Current	CRI Index	Ambient Temp (Ta)	System Lumen
LAP353353AE	791955	IP22	100V - 240V AC + 24V DC	10W (AC) 5W (DC)	4000K	350mA	80	-20°C ~ +40°C	850lm (AC) >120lm (DC)
LAPW353353AE	-	IP44							

Also available in other CCT.

Due to our continuous development and product improvement policy, we reserve the rights to revise the specifications of all products without prior notice.



# LED PANEL LIGHT



## PL 625257 SERIES

5 years warranty



### Key Features

- Easy installation with no external drivers needed
- Super slim design for surface mounted application
- High-efficiency constant current driver
- 70% more energy-efficient compared to 2X18W fluorescent lighting system
- Long service life of 50,000 hours L70 @ 40°C (Ta)
- Safety, EMC and IEC compliance



### Application

Cabins, Passageways, Galleys, Cafeterias

### Material

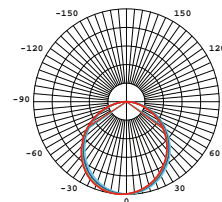
Marine grade aluminium, comes with high-efficiency light guide

### Electrical

Flexible wiring, Heat resistant up to 80°C

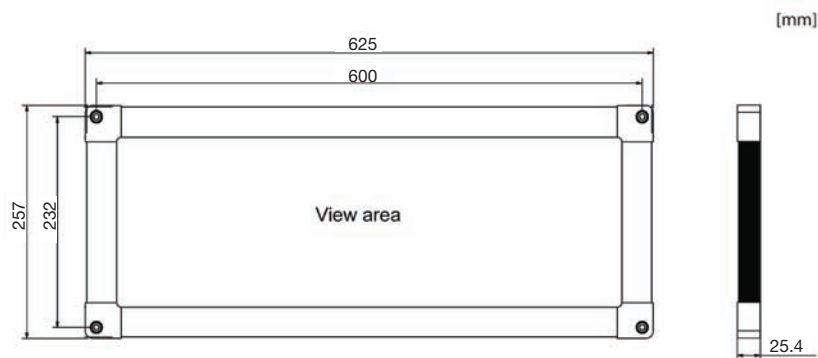
### Weight

3.3Kg



Height	AVR E	Diameter
1.00m	209.59lx	286.85cm
2.00m	52.40lx	573.70cm
3.00m	23.29lx	860.55cm
4.00m	13.10lx	1147.41cm
5.00m	8.38lx	1434.26cm

Angle: 110.2°



## TECHNICAL SPECIFICATIONS



BH Code	IMPA No.	IP Rating	Main Voltage	Power	CCT	Driving Current	CRI Index	Ambient Temp (Ta)	System Lumen
LAP625257A	791957	IP22	100V - 240V AC	24W	4000K	800mA	80	-20°C ~ +40°C	1700lm
LAPW625257A	-	IP44							

BH Code	IMPA No.	IP Rating	Main Voltage	Power	CCT	Driving Current	CRI Index	Ambient Temp (Ta)	System Lumen
LAP625257AE	791959	IP22	100V - 240V AC + 24V DC	24W (AC) 5W (DC)	4000K	800mA	80	-20°C ~ +40°C	1700lm (AC) >120lm (DC)
LAPW625257AE	-	IP44							

Also available in other CCT.

Due to our continuous development and product improvement policy, we reserve the rights to revise the specifications of all products without prior notice.



# LED PANEL LIGHT



## PL 625625 SERIES

5 years warranty



### Key Features

- Easy installation with no external drivers needed
- Super slim design for surface mounted application
- High-efficiency constant current driver
- 70% more energy-efficient compared to 3X18W fluorescent lighting system
- Long service life of 50,000 hours L70 @ 40°C (Ta)
- Safety, EMC and IEC compliance



### Application

Cabins, Passageways, Galleys, Cafeterias

### Material

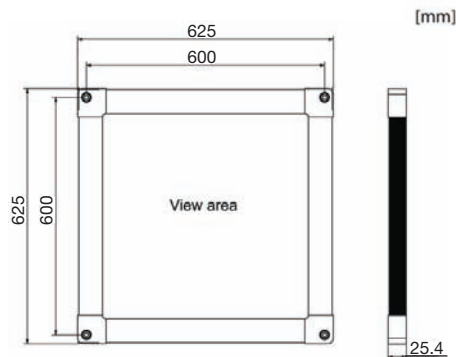
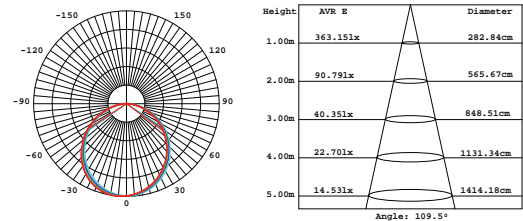
Marine grade aluminium, comes with high-efficiency light guide

### Electrical

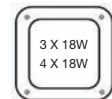
Flexible wiring, Heat resistant up to 80°C

### Weight

7.0Kg



## TECHNICAL SPECIFICATIONS



Ideal Replacement:

BH Code	IMPA No.	IP Rating	Main Voltage	Power	CCT	Driving Current	CRI Index	Ambient Temp (Ta)	System Lumen
LAP625625A	791961	IP22	100V - 240V AC	47W	4000K	800mA	80	-20°C ~ +40°C	2800lm
LAPW625625A	-	IP44							

BH Code	IMPA No.	IP Rating	Main Voltage	Power	CCT	Driving Current	CRI Index	Ambient Temp (Ta)	System Lumen
LAP625625AE	791963	IP22	100V - 240V AC + 24V DC	47W (AC)	4000K	800mA	80	-20°C ~ +40°C	2800lm (AC)
LAPW625625AE	-	IP44		5W (DC)					>120lm (DC)

Also available in other CCT.

Due to our continuous development and product improvement policy, we reserve the rights to revise the specifications of all products without prior notice.



# LED PANEL LIGHT



## DAMPA SERIES

5 years warranty



### Key Features

- Easy installation, super slim design for recessed mount application
- High efficiency and with long service life of 50,000 hours @ 40°C (Ta)
- Safety, EMC and IEC compliance



### Application

Office, Cabins, Passageways, Galleys, Cafeterias

### Material

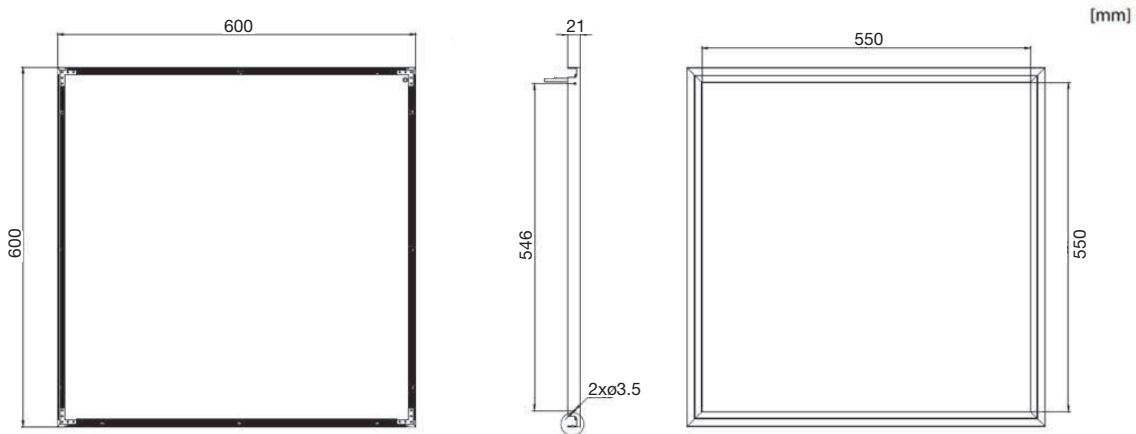
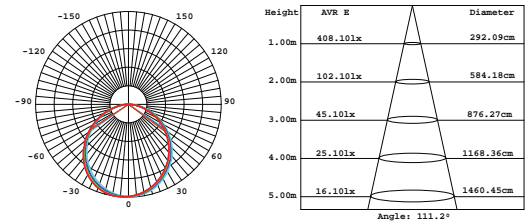
Marine grade aluminium alloy housing, comes with PMMA light guide

### Electrical

Flexible wiring, Heat resistant up to 80°C

### Weight

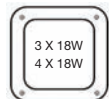
3.1Kg (with driver)



## TECHNICAL SPECIFICATIONS

IP 20

Ideal Replacement:



BH Code	IMPA No.	IP Rating	Main Voltage	Power	CCT	CRI Index	Ambient Temp	System Lumen
LADP600600A	-	IP20	100V - 240V AC	46W	4000K	80	-20°C ~ +40°C	4600lm
LADPW600600A	-	IP44	100V - 240V AC	46W	4000K	80	-20°C ~ +40°C	4600lm

Also available in other CCT.

# LED RECESSED LUMINAIRE



## RC SERIES

3 years warranty



Ice Crystal Diffuser

### Key Features

- Triac dimming compatible
- Integrated with LED linear module(s) to provide high illumination performance
- Long service life of 50,000 hours L70 @ 45°C (Ta)
- Safety, EMC and IEC compliance
- Available with battery backup system and emergency lighting



### Application

Accommodation areas, Passageways, Cabins

### Mounting Method

4 mounting brackets,  
Hole cut out (2ft): 638 X 211 mm  
Hole cut out (4ft): 1247 X 211 mm

### Material

Diffuser: PMMA ice crystal  
Housing: Zinc coated steel, Powder coated white

### Electrical

Flexible wiring, Heat resistant up to 105°C

### Protection Class

IP44 in conjunction with ceiling

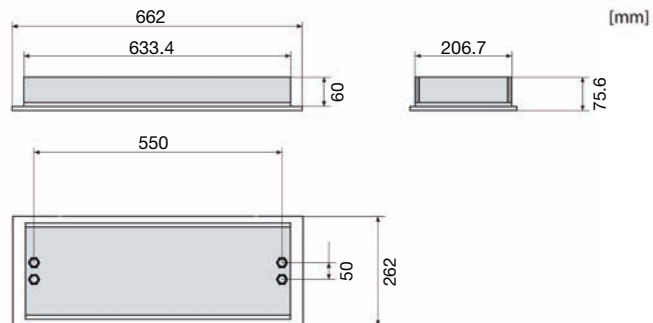
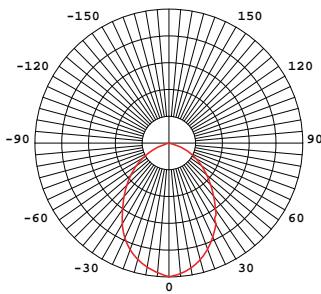
### Options

100V ~ 120V AC

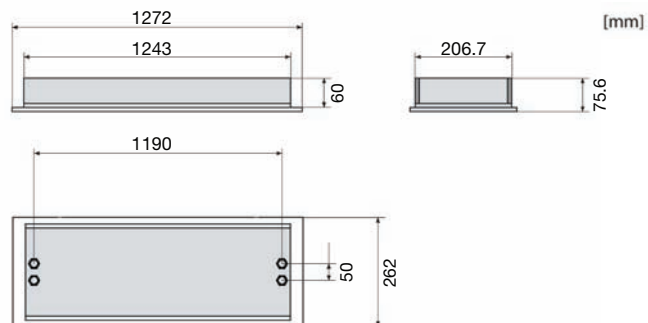
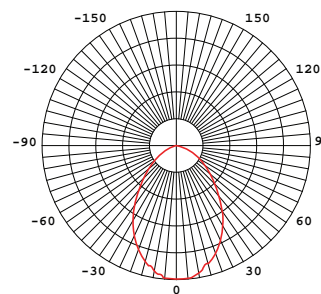
### Weight

RC21: 3.7Kg RC22: 4.0Kg  
RC41: 6.9Kg RC42: 7.5Kg

### RC21/RC22



### RC41/RC42



Due to our continuous development and product improvement policy, we reserve the rights to revise the specifications of all products without prior notice.



# LED RECESSED LUMINAIRE



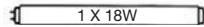
## RC SERIES

- B Denotes : With battery backup
- E Denotes : With DC24V emergency LED

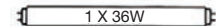
### TECHNICAL SPECIFICATIONS



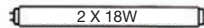
Ideal Replacement:



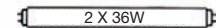
RC21 for 1X18W



RC41 for 1X36W



RC42 for 2X18W



RC42 for 2X36W

BH Code	IMPA No.	Main Voltage	Power	CCT	Ambient Temp (Ta)	System Lumen
IGLARC215A1	-	100V - 120V AC	1x12.5W	5000K	-30°C ~ +45°C	950lm
IGLARC215A1B	-	100V - 120V AC	1x12.5W	5000K	-30°C ~ +45°C	950lm
IGLARC215A1E	-	100V - 120V AC	1x12.5W	5000K	-30°C ~ +45°C	950lm
IGLARC225A1	-	100V - 120V AC	2x12.5W	5000K	-30°C ~ +45°C	1900lm
IGLARC225A1B	-	100V - 120V AC	2x12.5W	5000K	-30°C ~ +45°C	1900lm
IGLARC225A1E	-	100V - 120V AC	2x12.5W	5000K	-30°C ~ +45°C	1900lm

Also available in other CCT.

\*Ambient Temperature is not applicable for Battery Backup System and Emergency Lighting.

BH Code	IMPA No.	Main Voltage	Power	CCT	Ambient Temp (Ta)	System Lumen
IGLARC415A1	-	100V - 120V AC	1x24W	5000K	-30°C ~ +45°C	1900lm
IGLARC415A1B	-	100V - 120V AC	1x24W	5000K	-30°C ~ +45°C	1900lm
IGLARC415A1E	-	100V - 120V AC	1x24W	5000K	-30°C ~ +45°C	1900lm
IGLARC425A1	-	100V - 120V AC	2x24W	5000K	-30°C ~ +45°C	3800lm
IGLARC425A1B	-	100V - 120V AC	2x24W	5000K	-30°C ~ +45°C	3800lm
IGLARC425A1E	-	100V - 120V AC	2x24W	5000K	-30°C ~ +45°C	3800lm

Also available in other CCT.

\*Ambient Temperature is not applicable for Battery Backup System and Emergency Lighting.

# LED RECESSED LUMINAIRE



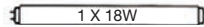
## RC SERIES

- B Denotes : With battery backup
- E Denotes : With DC24V emergency LED

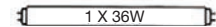
### TECHNICAL SPECIFICATIONS



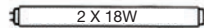
Ideal Replacement:



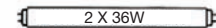
RC21 for 1X18W



RC41 for 1X36W



RC42 for 2X18W



RC42 for 2X36W

BH Code	IMPA No.	Main Voltage	Power	CCT	Ambient Temp (Ta)	System Lumen
IGLARC215A2	791940	220V - 240V AC	1x12.5W	5000K	-30°C ~ +45°C	950lm
IGLARC215A2B	-	220V - 240V AC	1x12.5W	5000K	-30°C ~ +45°C	950lm
IGLARC215A2E	-	220V - 240V AC	1x12.5W	5000K	-30°C ~ +45°C	950lm
IGLARC225A2	791941	220V - 240V AC	2x12.5W	5000K	-30°C ~ +45°C	1900lm
IGLARC225A2B	-	220V - 240V AC	2x12.5W	5000K	-30°C ~ +45°C	1900lm
IGLARC225A2E	-	220V - 240V AC	2x12.5W	5000K	-30°C ~ +45°C	1900lm

Also available in other CCT.

\*Ambient Temperature is not applicable for Battery Backup System and Emergency Lighting.

BH Code	IMPA No.	Main Voltage	Power	CCT	Ambient Temp (Ta)	System Lumen
IGLARC415A2	791942	220V - 240V AC	1x24W	5000K	-30°C ~ +45°C	1900lm
IGLARC415A2B	-	220V - 240V AC	1x24W	5000K	-30°C ~ +45°C	1900lm
IGLARC415A2E	-	220V - 240V AC	1x24W	5000K	-30°C ~ +45°C	1900lm
IGLARC425A2	791943	220V - 240V AC	2x24W	5000K	-30°C ~ +45°C	3800lm
IGLARC425A2B	-	220V - 240V AC	2x24W	5000K	-30°C ~ +45°C	3800lm
IGLARC425A2E	-	220V - 240V AC	2x24W	5000K	-30°C ~ +45°C	3800lm

Also available in other CCT.

\*Ambient Temperature is not applicable for Battery Backup System and Emergency Lighting.

# LED SURFACE LUMINAIRE



## SC SERIES

3 years warranty



### Key Features

- Triac dimming compatible
- Special designed polycarbonate diffuser to optimize the LED lighting performance
- Long service life of 50,000 hours L70 @ 45°C (Ta)
- Safety, EMC and IEC compliance
- Available with battery backup system and emergency lighting



### Application

Passageways, Cabins, Lounges, Dining rooms, Accommodation areas

### Mounting Method

4 mounting holes ø5.5mm

### Material

Diffuser: Polycarbonate  
Housing: Zinc coated steel, Powder coated white

### Electrical

Flexible wiring, Heat resistant up to 105°C

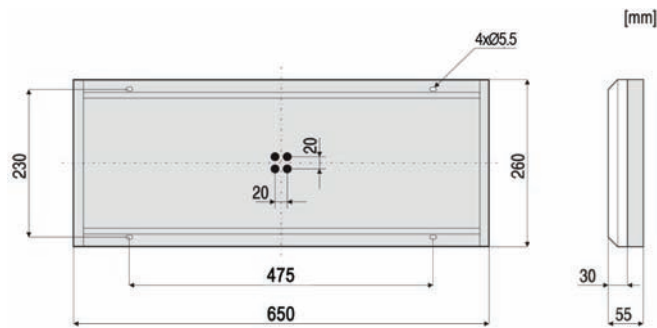
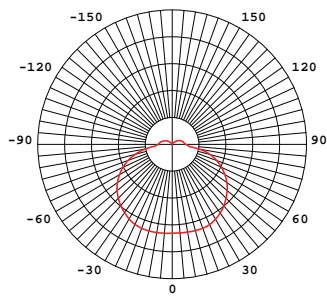
### Options

100V ~ 120V AC

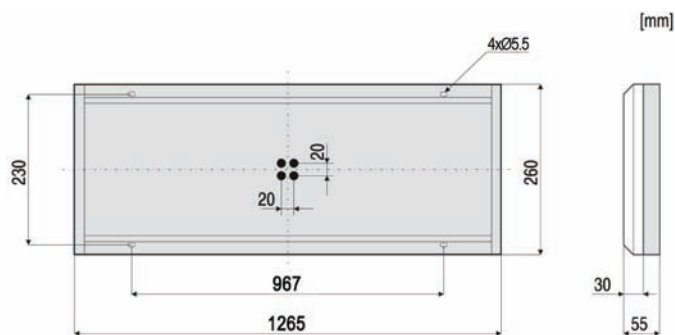
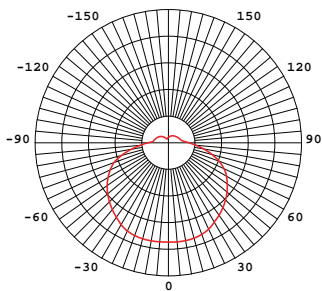
### Weight

SC21: 2.5Kg    SC22: 2.8Kg  
SC41: 5.0Kg    SC42: 5.6Kg

### SC21/SC22



### SC41/SC42



# LED SURFACE LUMINAIRE



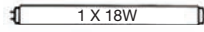
## SC SERIES

- B Denotes : With battery backup
- E Denotes : With DC24V emergency LED

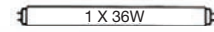
### TECHNICAL SPECIFICATIONS



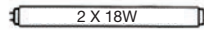
Ideal Replacement:



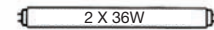
SC21 for 1X18W



SC41 for 1X36W



SC42 for 2X18W



SC42 for 2X36W

BH Code	IMPA No.	Main Voltage	Power	CCT	Ambient Temp (Ta)	System Lumen
IGLASC215A1	-	100V - 120V AC	1x12.5W	5000K	-30°C ~ +45°C	950lm
IGLASC215A1B	-	100V - 120V AC	1x12.5W	5000K	-30°C ~ +45°C	950lm
IGLASC215A1E	-	100V - 120V AC	1x12.5W	5000K	-30°C ~ +45°C	950lm
IGLASC225A1	-	100V - 120V AC	2x12.5W	5000K	-30°C ~ +45°C	1900lm
IGLASC225A1B	-	100V - 120V AC	2x12.5W	5000K	-30°C ~ +45°C	1900lm
IGLASC225A1E	-	100V - 120V AC	2x12.5W	5000K	-30°C ~ +45°C	1900lm

Also available in other CCT.

\*Ambient Temperature is not applicable for Battery Backup System and Emergency Lighting.

BH Code	IMPA No.	Main Voltage	Power	CCT	Ambient Temp (Ta)	System Lumen
IGLASC415A1	-	100V - 120V AC	1x24W	5000K	-30°C ~ +45°C	1900lm
IGLASC415A1B	-	100V - 120V AC	1x24W	5000K	-30°C ~ +45°C	1900lm
IGLASC415A1E	-	100V - 120V AC	1x24W	5000K	-30°C ~ +45°C	1900lm
IGLASC425A1	-	100V - 120V AC	2x24W	5000K	-30°C ~ +45°C	3800lm
IGLASC425A1B	-	100V - 120V AC	2x24W	5000K	-30°C ~ +45°C	3800lm
IGLASC425A1E	-	100V - 120V AC	2x24W	5000K	-30°C ~ +45°C	3800lm

Also available in other CCT.

\*Ambient Temperature is not applicable for Battery Backup System and Emergency Lighting.

# LED SURFACE LUMINAIRE



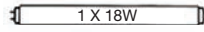
## SC SERIES

- B Denotes : With battery backup
- E Denotes : With DC24V emergency LED

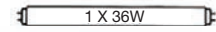
### TECHNICAL SPECIFICATIONS



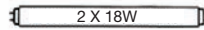
Ideal Replacement:



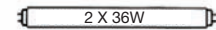
SC21 for 1X18W



SC41 for 1X36W



SC42 for 2X18W



SC42 for 2X36W

BH Code	IMPA No.	Main Voltage	Power	CCT	Ambient Temp (Ta)	System Lumen
IGLASC215A2	791946	220V - 240V AC	1x12.5W	5000K	-30°C ~ +45°C	950lm
IGLASC215A2B	-	220V - 240V AC	1x12.5W	5000K	-30°C ~ +45°C	950lm
IGLASC215A2E	-	220V - 240V AC	1x12.5W	5000K	-30°C ~ +45°C	950lm
IGLASC225A2	791947	220V - 240V AC	2x12.5W	5000K	-30°C ~ +45°C	1900lm
IGLASC225A2B	-	220V - 240V AC	2x12.5W	5000K	-30°C ~ +45°C	1900lm
IGLASC225A2E	-	220V - 240V AC	2x12.5W	5000K	-30°C ~ +45°C	1900lm

Also available in other CCT.

\*Ambient Temperature is not applicable for Battery Backup System and Emergency Lighting.

BH Code	IMPA No.	Main Voltage	Power	CCT	Ambient Temp (Ta)	System Lumen
IGLASC415A2	791948	220V - 240V AC	1x24W	5000K	-30°C ~ +45°C	1900lm
IGLASC415A2B	-	220V - 240V AC	1x24W	5000K	-30°C ~ +45°C	1900lm
IGLASC415A2E	-	220V - 240V AC	1x24W	5000K	-30°C ~ +45°C	1900lm
IGLASC425A2	791949	220V - 240V AC	2x24W	5000K	-30°C ~ +45°C	3800lm
IGLASC425A2B	-	220V - 240V AC	2x24W	5000K	-30°C ~ +45°C	3800lm
IGLASC425A2E	-	220V - 240V AC	2x24W	5000K	-30°C ~ +45°C	3800lm

Also available in other CCT.

\*Ambient Temperature is not applicable for Battery Backup System and Emergency Lighting.

# LED SURFACE LUMINAIRE



## LNS SERIES (LITE)

3 years warranty



### Key Features

- Triac dimming compatible
- Special designed polycarbonate diffuser to optimize the LED lighting performance
- Long service life of 50,000 hours L70 @ 45°C (Ta)
- Safety, EMC and IEC compliance
- Available with battery backup system and emergency lighting

### Application

Passageways, Cabins, Lounges, Dining rooms, Accomodation areas

### Mounting Method

4 mounting holes ø5.5mm

### Material

Diffuser: Polycarbonate  
Housing: Marine grade Aluminium AL6063

### Electrical

Flexible wiring, Heat resistant up to 105°C

### Options

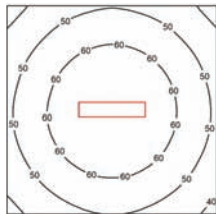
100V ~ 120V AC  
220V ~ 240V AC  
24V DC

### Weight

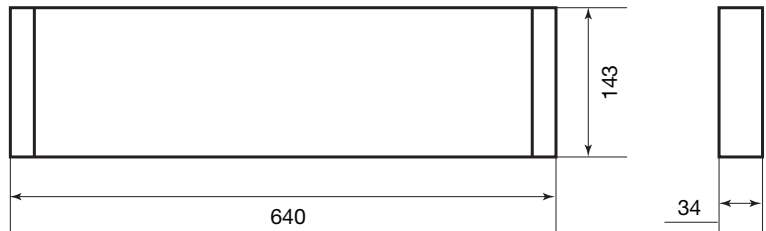
LNS22: 0.9Kg



\*For AC models only



LNS22 (2x10W) model:  
Average Lux : 55lx  
Mounting Height : 2.3 Meters  
Measurement Area : 2m<sup>2</sup>



[mm]

## TECHNICAL SPECIFICATIONS IP 20

- S Denotes : Standard lighting
- B Denotes : With 3Hr NiMH battery backup
- E Denotes : With DC24V emergency LED

Ideal Replacement:



BH Code	IMPA No.	Main Voltage	Power	CCT	Ambient Temp (Ta)	System Lumen
LNS22AXA13KS	-	100V - 120V AC	2x10W	2700K	-30°C ~ +45°C	1700lm
LNS22AXA13KB	-	100V - 120V AC	2x10W	2700K	-30°C ~ +45°C	1700lm
LNS22AXA13KE	-	100V - 120V AC	2x10W	2700K	-30°C ~ +45°C	1700lm
LNS22AXA14KS	-	100V - 120V AC	2x10W	4000K	-30°C ~ +45°C	1700lm
LNS22AXA14KB	-	100V - 120V AC	2x10W	4000K	-30°C ~ +45°C	1700lm
LNS22AXA14KE	-	100V - 120V AC	2x10W	4000K	-30°C ~ +45°C	1700lm

Also available in other CCT.

\*Ambient Temperature is not applicable for Battery Backup System and Emergency Lighting.

Due to our continuous development and product improvement policy, we reserve the rights to revise the specifications of all products without prior notice.



# LED SURFACE LUMINAIRE



## LNS SERIES (LITE)

- S Denotes : Standard lighting
- B Denotes : With 3Hr NiMH battery backup
- E Denotes : With DC24V emergency LED

### TECHNICAL SPECIFICATIONS



Ideal Replacement:



BH Code	IMPA No.	Main Voltage	Power	CCT	Ambient Temp (Ta)	System Lumen
LNS22AXA16KS	-	100V - 120V AC	2x10W	6500K	-30°C ~ +45°C	1700lm
LNS22AXA16KB	-	100V - 120V AC	2x10W	6500K	-30°C ~ +45°C	1700lm
LNS22AXA16KE	-	100V - 120V AC	2x10W	6500K	-30°C ~ +45°C	1700lm

\*Ambient Temperature is not applicable for Battery Backup System and Emergency Lighting.

BH Code	IMPA No.	Main Voltage	Power	CCT	Ambient Temp (Ta)	System Lumen
LNS22AXA23KS	-	220V - 240V AC	2x10W	2700K	-30°C ~ +45°C	1700lm
LNS22AXA23KB	-	220V - 240V AC	2x10W	2700K	-30°C ~ +45°C	1700lm
LNS22AXA23KE	-	220V - 240V AC	2x10W	2700K	-30°C ~ +45°C	1700lm
LNS22AXA24KS	-	220V - 240V AC	2x10W	4000K	-30°C ~ +45°C	1700lm
LNS22AXA24KB	-	220V - 240V AC	2x10W	4000K	-30°C ~ +45°C	1700lm
LNS22AXA24KE	-	220V - 240V AC	2x10W	4000K	-30°C ~ +45°C	1700lm
LNS22AXA26KS	-	220V - 240V AC	2x10W	6500K	-30°C ~ +45°C	1700lm
LNS22AXA26KB	-	220V - 240V AC	2x10W	6500K	-30°C ~ +45°C	1700lm
LNS22AXA26KE	-	220V - 240V AC	2x10W	6500K	-30°C ~ +45°C	1700lm

\*Ambient Temperature is not applicable for Battery Backup System and Emergency Lighting.

BH Code	IMPA No.	Main Voltage	Power	CCT	Ambient Temp (Ta)	System Lumen
LNS22AXD25KS	-	24V DC	2x10W	5000K	-30°C ~ +45°C	1700lm

Due to our continuous development and product improvement policy, we reserve the rights to revise the specifications of all products without prior notice.



# LED KITCHEN LUMINAIRE



## GL SERIES

3 years warranty



### Key Features

- Triac dimming compatible
- Built-in with high thermal efficient linear module that allows lighting to operate at ambient temperature of up to 45°C
- Special designed clear polycarbonate diffuser to optimize the LED light transmission
- Long service life of 50,000 hours L70 @ 45°C (Ta)
- Safety, EMC and IEC compliance
- Available with battery backup system and emergency lighting



### Application

Galleys, Pantries, Cafeterias, Provision rooms, Kitchens

### Mounting Method

6 mounting holes  $\varnothing 5\text{mm}$  (GL22)  
8 mounting holes  $\varnothing 5\text{mm}$  (GL42)

### Material

Diffuser: Polycarbonate  
Base plate: Stainless steel  
Gasket: Silicone rubber

### Cable Entry

2 plastic cable glands M20  
Cable max  $\varnothing 13\text{mm}$

### Electrical

Flexible wiring, Heat resistance up to 105°C

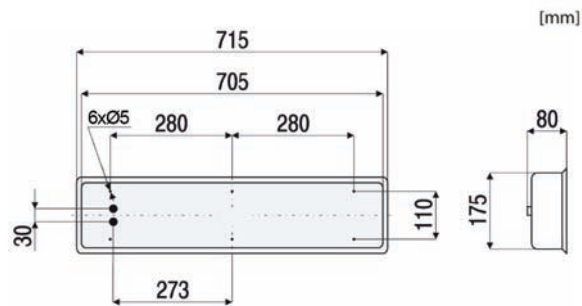
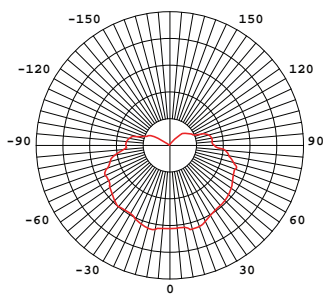
### Options

100V ~ 120V AC

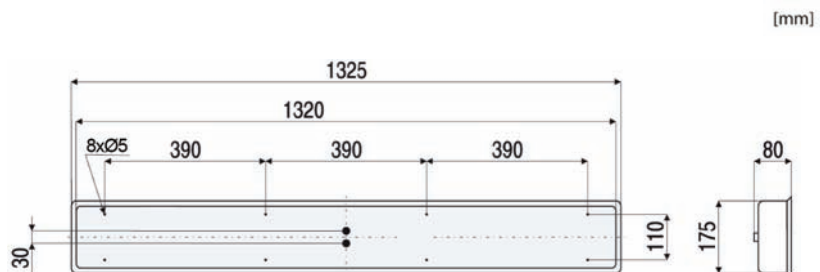
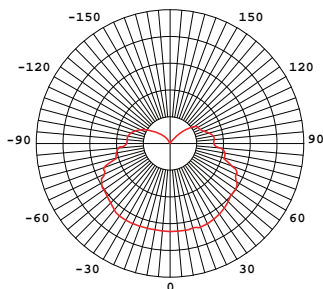
### Weight

GL22: 4.2Kg GL42: 6.3Kg

### GL22



### GL42



Due to our continuous development and product improvement policy, we reserve the rights to revise the specifications of all products without prior notice.



# LED KITCHEN LUMINAIRE



## GL SERIES

- B Denotes : With battery backup
- E Denotes : With DC24V emergency LED

### TECHNICAL SPECIFICATIONS



GL22 for 2X18W

Ideal Replacement: GL42 for 2X36W

BH Code	IMPA No.	Main Voltage	Power	CCT	Ambient Temp (Ta)	System Lumen
IGLAGL225A1	-	100V - 120V AC	2x12.5W	5000K	-30°C ~ +45°C	1940lm
IGLAGL225A1B	-	100V - 120V AC	2x12.5W	5000K	-30°C ~ +45°C	1940lm
IGLAGL225A1E	-	100V - 120V AC	2x12.5W	5000K	-30°C ~ +45°C	1940lm

Also available in other CCT.  
\*Ambient Temperature is not applicable for Battery Backup System and Emergency Lighting.

BH Code	IMPA No.	Main Voltage	Power	CCT	Ambient Temp (Ta)	System Lumen
IGLAGL425A1	-	100V - 120V AC	2x24W	5000K	-30°C ~ +45°C	3880lm
IGLAGL425A1B	-	100V - 120V AC	2x24W	5000K	-30°C ~ +45°C	3880lm
IGLAGL425A1E	-	100V - 120V AC	2x24W	5000K	-30°C ~ +45°C	3880lm

Also available in other CCT.  
\*Ambient Temperature is not applicable for Battery Backup System and Emergency Lighting.

BH Code	IMPA No.	Main Voltage	Power	CCT	Ambient Temp (Ta)	System Lumen
IGLAGL225A2	-	220V - 240V AC	2x12.5W	5000K	-30°C ~ +45°C	1940lm
IGLAGL225A2B	-	220V - 240V AC	2x12.5W	5000K	-30°C ~ +45°C	1940lm
IGLAGL225A2E	-	220V - 240V AC	2x12.5W	5000K	-30°C ~ +45°C	1940lm

Also available in other CCT.  
\*Ambient Temperature is not applicable for Battery Backup System and Emergency Lighting.

BH Code	IMPA No.	Main Voltage	Power	CCT	Ambient Temp (Ta)	System Lumen
IGLAGL425A2	-	220V - 240V AC	2x24W	5000K	-30°C ~ +45°C	3880lm
IGLAGL425A2B	-	220V - 240V AC	2x24W	5000K	-30°C ~ +45°C	3880lm
IGLAGL425A2E	-	220V - 240V AC	2x24W	5000K	-30°C ~ +45°C	3880lm

Also available in other CCT.  
\*Ambient Temperature is not applicable for Battery Backup System and Emergency Lighting.

# LED SWING DOWNLIGHT



## LDAS SERIES

5 years warranty



### Key Features

- Triac dimming compatible (AC voltage model only)
- Built-in with integrated driver for ease of installation
- Swingable to adjust light angle
- Vibration-resistant
- Energy savings of up to 86% compared to 50W halogen
- Superior heat sink designed to enhance the service life
- Long service life of 50,000 hours L70 @ 40°C (Ta)
- Safety, EMC and IEC compliance



### Application

Cabins, Passageways, Galleys, Meeting rooms

### Material

Marine grade aluminium alloy with powder coating, comes with polycarbonate diffuser protect against marine saltwater corrosion

### Electrical

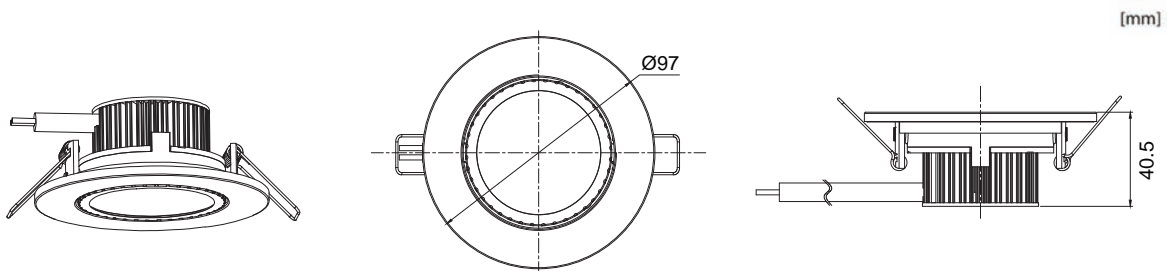
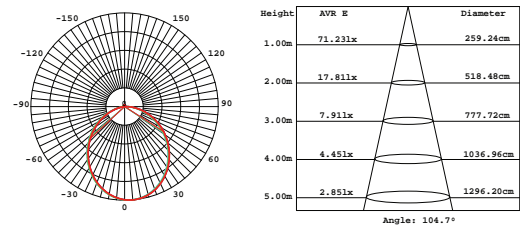
Flexible wiring, Heat resistant up to 80°C

### Protection Class

IP44 in conjunction with ceiling

### Weight

0.2Kg



## TECHNICAL SPECIFICATIONS



Ideal Replacement: 50W

BH Code	IMPA No.	Voltage	Power	CCT	Beam Angle	Ambient Temp (Ta)	System Lumen
LDAS074KA22W	792131	220V - 240V AC	7W	4000K	105°	-20°C ~ +40°C	566lm
LDAS074KD24W	-	24V DC	7W	4000K	105°	-20°C ~ +40°C	560lm

Also available in other CCT.

# LED DOWNLIGHT



## LDAF SERIES

5 years warranty



### Key Features

- Triac dimming compatible (AC voltage models only)
- Designed with reliable AC driver on board to enhance the service life
- Vibration-resistant
- Energy savings of up to 60% compared to compact fluorescent system
- Long service life of 50,000 hours L70 @ 40°C (Ta)
- Safety, EMC and IEC compliance



### Application

Cabins, Passageways, Galleys, Meeting rooms

### Material

Marine grade aluminium alloy with powder coating, comes with polycarbonate diffuser protect against marine saltwater corrosion

### Electrical

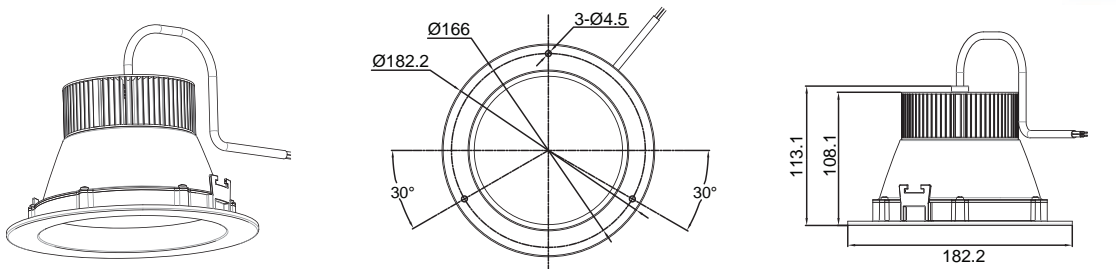
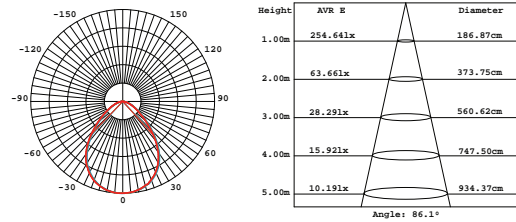
Flexible wiring, Heat resistant up to 150°C

### Protection Class

IP44 in conjunction with ceiling

### Weight

DL12A2: 1.2Kg  
DL15A2 / DL15A1 / DL15D: 1.3Kg



## TECHNICAL SPECIFICATIONS



BH Code	IMPA No.	Voltage	Power	CCT	Beam Angle	Ambient Temp (Ta)	System Lumen
LDAF124KA22W	792133	220V - 240V AC	12W	4000K	85°	-20°C ~ +40°C	820lm
LDAF154KA22W	792134	220V - 240V AC	15W	4000K	85°	-20°C ~ +40°C	1050lm
LDAF154KA11W	792135	100V - 120V AC	15W	4000K	85°	-20°C ~ +40°C	1050lm
LDAF154KD24W	792132	24V DC	15W	4000K	85°	-20°C ~ +40°C	1050lm

Also available in other CCT.

Due to our continuous development and product improvement policy, we reserve the rights to revise the specifications of all products without prior notice.

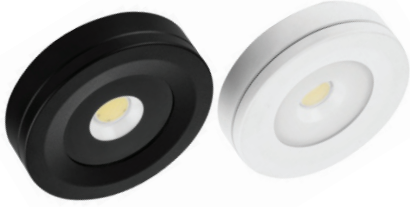


# LED MINI SURFACE DOWNLIGHT



## SL SERIES

3 years warranty



### Key Features

- Light, compact and ultra-thin
- Built-in integrated driver for ease of installation
- More than 90% energy savings compared with 35W halogen
- Vibration-resistant
- Dimmable LED
- Long service life of 35,000 hours
- Safety compliance

### Application

Cabins, Lounges, Accommodation areas, Restrooms

### Material

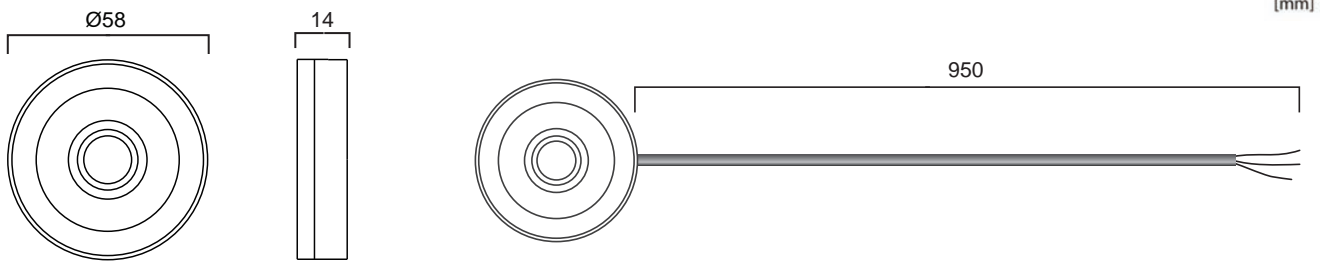
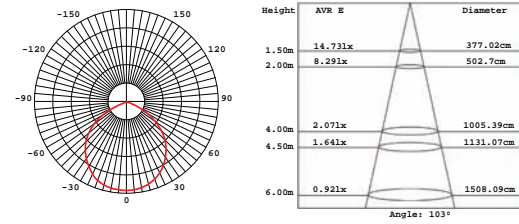
Corrosion-resistant aluminium housing with toughened glass diffuser

### Protection Class

IP44

### Weight

0.15Kg



## TECHNICAL SPECIFICATIONS IP 44

BH Code	IMPA No.	Housing Colour	Main Voltage	Power	CCT	Beam Angle	Ambient Temp (Ta)	System Lumen
LASL33BA2	-	Black	220V - 240V AC	3W	3000K	90°	-20°C ~ +40°C	295lm
LASL33WA2	-	White	220V - 240V AC	3W	3000K	90°	-20°C ~ +40°C	295lm

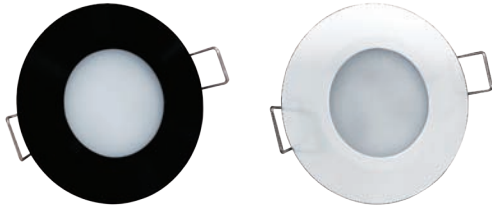
Also available in other CCT.  
100V-120V AC model option available.

# LED MINI DOWNLIGHT



## DC SERIES

3 years warranty



### Key Features

- Light, compact and ultra-thin
- Built-in integrated driver for ease of installation
- 85% energy savings compared with 20W halogen
- Also suitable as a DC24V emergency LED
- Vibration-resistant
- TRIAC and PWM dimming compatible
- Safety compliance

### Application

Cabins, Lounges, Accommodation areas

### Material

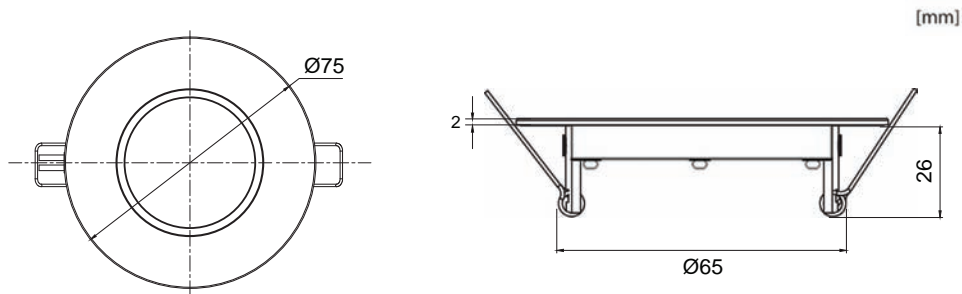
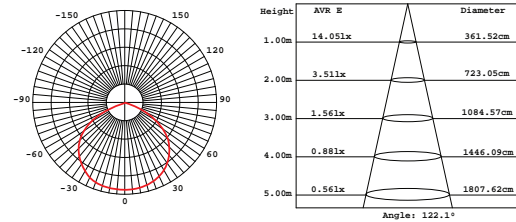
Corrosion-resistant aluminium housing with PMMA diffuser

### Protection Class

IP20

### Weight

0.1Kg



## TECHNICAL SPECIFICATIONS



BH Code	IMPA No.	Housing Colour	Main Voltage	Power	CCT	Beam Angle	Ambient Temp (Ta)	System Lumen
LADC34BD	-	Black	24V DC	3W	4000K	120°	-20°C ~ +40°C	210lm
LADC34WD	-	White	24V DC	3W	4000K	120°	-20°C ~ +40°C	210lm

Also available in other CCT.

# FIRE RATED LED DOWNLIGHT



## LDDS SERIES

3 years warranty



### Key Features

- Fire-rated for 30, 60 and 90 minutes (BS 476-21:1987)
- Low profile suitable for shallow ceiling voids
- Triac dimming compatible
- 25° swingable to adjust light tilt angle
- 3 Selectable CCT: 3000K / 4000K / 6000K
- Default bezel in white. Optional bezel colours in chrome, nickel or black
- Energy savings of up to 55% compared to compact fluorescent system
- Vibration-resistant
- Long service life of 50,000 hours L70 @ 40°C (Ta)
- CE Marking, EMC safety compliance



### Application

Cabins, Galleys, Meeting rooms, Bathrooms

### Material

Steel body with powder coating, aluminium heatsink, PMMA diffuser and polycarbonate bezel. Protect against marine saltwater corrosion

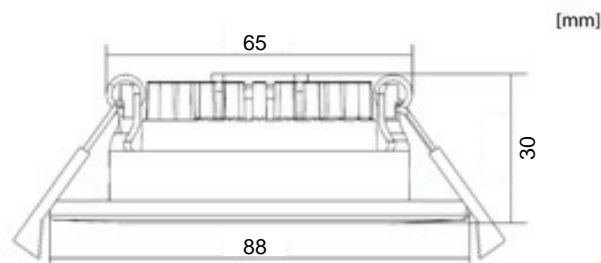
### Protection Class

IP65

### Weight

0.3Kg

### Optional Coloured Bezels



## TECHNICAL SPECIFICATIONS



Ideal Replacement: 18W CFL

BH Code	IMPA No.	Voltage	Power	Bezel Colour	CCT	Beam Angle	Ambient Temp (Ta)	System Lumen
LDDS08XKA22W	792138	220V - 240V AC	8W	White	3000K/4000K/6000K Selectable	60°	-20°C ~ +40°C	900lm
LDDS08XKA22C	792138	220V - 240V AC	8W	Chrome	3000K/4000K/6000K Selectable	60°	-20°C ~ +40°C	900lm
LDDS08XKA22N	792138	220V - 240V AC	8W	Nickel	3000K/4000K/6000K Selectable	60°	-20°C ~ +40°C	900lm
LDDS08XKA22B	792138	220V - 240V AC	8W	Black	3000K/4000K/6000K Selectable	60°	-20°C ~ +40°C	900lm

Due to our continuous development and product improvement policy, we reserve the rights to revise the specifications of all products without prior notice.



# LED DOWNLIGHT



## LDDF SERIES

3 years warranty



### Key Features

- Low profile suitable for shallow ceiling voids
- Triac dimming compatible
- 3 Selectable CCT: 3000K / 4000K / 6000K
- Energy savings of up to 50% compared to compact fluorescent system
- Vibration-resistant
- Long service life of 50,000 hours L70 @ 40°C (Ta)
- CE Marking, EMC safety compliance

ABS

### Application

Cabins, Passageways, Galleys, Meeting rooms

### Material

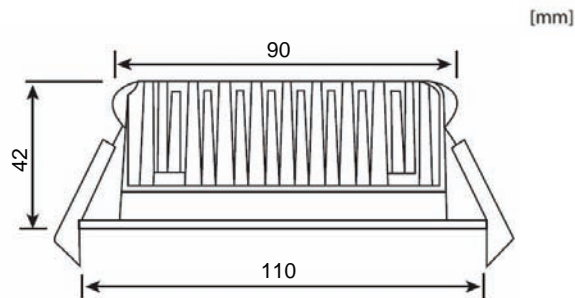
Powder coated aluminium alloy body and heatsink with PMMA diffuser  
Protect against marine saltwater corrosion

### Protection Class

IP44

### Weight

0.4Kg



## TECHNICAL SPECIFICATIONS



Ideal Replacement: 26W CFL

BH Code	IMPA No.	Voltage	Power	CCT	Beam Angle	Ambient Temp (Ta)	System Lumen
LDDF13XKA22W	-	220V - 240V AC	13W	3000K/4000K/ 6000K Selectable	90°	-20°C ~ +40°C	1100lm
LDDF13XKD24W	-	24V - 28V DC	13W	3000K/4000K/ 6000K Selectable	90°	-20°C ~ +40°C	1100lm

Due to our continuous development and product improvement policy, we reserve the rights to revise the specifications of all products without prior notice.



# LED DOWNLIGHT



## LDDF SERIES

3 years warranty



### Key Features

- Low profile suitable for shallow ceiling voids
- Triac dimming compatible
- 3 Selectable CCT: 3000K / 4000K / 6000K
- Energy savings of up to 50% compared to compact fluorescent system
- Vibration-resistant
- Long service life of 50,000 hours L70 @ 40°C (Ta)
- CE Marking, EMC safety compliance

ABS

### Application

Cabins, Passageways, Galleys, Meeting rooms

### Material

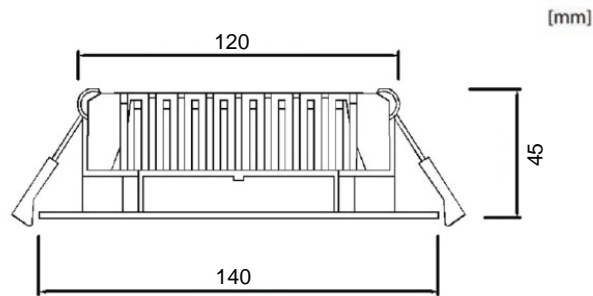
Powder coated aluminium alloy body and heatsink with PMMA diffuser  
Protect against marine saltwater corrosion

### Protection Class

IP44

### Weight

0.7Kg



## TECHNICAL SPECIFICATIONS



Ideal Replacement: 32W CFL

BH Code	IMPA No.	Voltage	Power	CCT	Beam Angle	Ambient Temp (Ta)	System Lumen
LDDF16XKA22W	-	220V - 240V AC	16W	3000K/4000K/6000K Selectable	90°	-20°C ~ +40°C	1450lm
LDDF16XKD24W	-	24V - 28V DC	16W	3000K/4000K/6000K Selectable	90°	-20°C ~ +40°C	1450lm

Due to our continuous development and product improvement policy, we reserve the rights to revise the specifications of all products without prior notice.



# LED DOWNLIGHT



## LDDF SERIES

3 years warranty



### Key Features

- Low profile suitable for shallow ceiling voids
- Triac dimming compatible
- 3 Selectable CCT: 3000K / 4000K / 6000K
- Energy savings of up to 52% compared to compact fluorescent system
- Vibration-resistant
- Long service life of 50,000 hours L70 @ 40°C (Ta)
- CE Marking, EMC safety compliance

ABS

### Application

Cabins, Passageways, Galleys, Meeting rooms

### Material

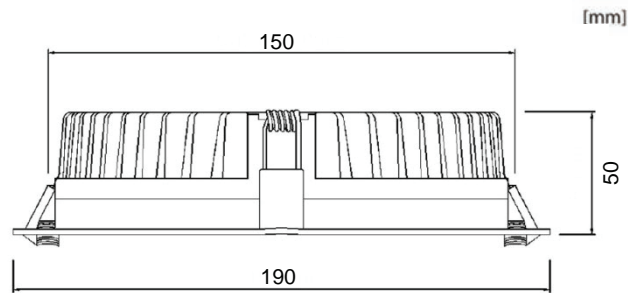
Powder coated aluminium alloy body and heatsink with PMMA diffuser  
Protect against marine saltwater corrosion

### Protection Class

IP44

### Weight

0.9Kg



## TECHNICAL SPECIFICATIONS



Ideal Replacement: 42W CFL

BH Code	IMPA No.	Voltage	Power	CCT	Beam Angle	Ambient Temp (Ta)	System Lumen
LDDF20XKA22W	-	220V - 240V AC	20W	3000K/4000K/ 6000K Selectable	90°	-20°C ~ +40°C	1700lm

# LED BERTH LIGHT



## BL SERIES

5 years warranty



### Key Features

- Special design polycarbonate diffuser to optimize the LED light transmission
- Slim profile design that is easily mounted to provide illumination performance while using significantly less energy
- Long service life of 50,000 hours L70 @ 40°C (Ta)
- Safety, EMC and IEC compliance



### Application

Passageways, Cabins, Lounges, Dining rooms, Accommodation areas

### Mounting Method

2 mounting holes ø5.5mm

### Material

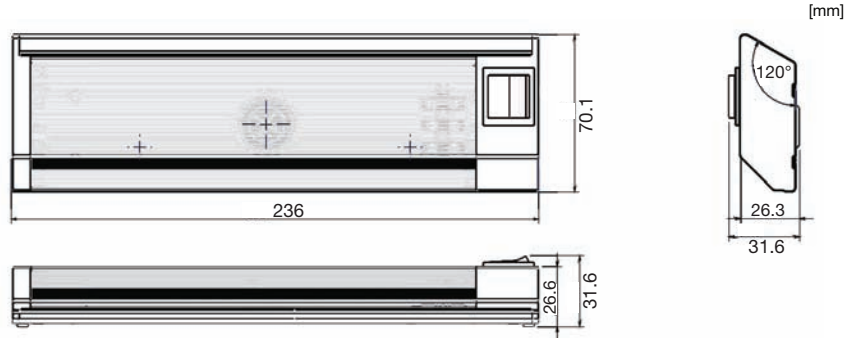
Diffuser: Polycarbonate  
Housing: Galvanized steel, Powder coated white

### Electrical

Flexible wiring, Heat resistance up to 150°C

### Weight

0.25Kg



## TECHNICAL SPECIFICATIONS IP 20

BH Code	IMPA No.	Voltage	Power	CCT	Ambient Temp (Ta)	System Lumen
LABL44A2	792149	220V - 240V AC	5W	4000K	-20°C ~ +40°C	280lm
LABL44A1	792148	100V - 120V AC	4W	4000K	-20°C ~ +40°C	280lm

Also available in other CCT.

# LED BERTH LIGHT



## BL SERIES

5 years warranty



### Key Features

- Special design polycarbonate diffuser to optimize the LED light transmission
- Slim profile design that is easily mounted to provide illumination performance while using significantly less energy
- Dimmable function with universal socket, USB charging ports
- Long service life of 50,000 hours L70 @ 40°C (Ta)
- Safety, EMC and IEC compliance



### Application

Passageways, Cabins, Lounges, Dining rooms, Accomodation areas

### Mounting Method

2 mounting holes  $\phi 5.5\text{mm}$

### Material

Diffuser: Polycarbonate  
Housing: Galvanized steel, Powder coated white

### Electrical

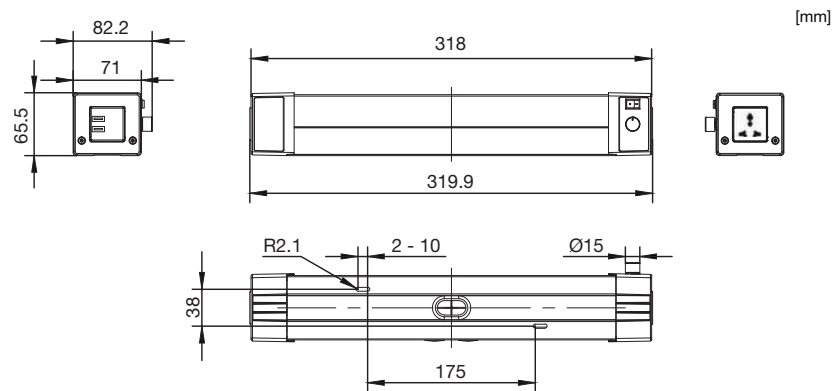
Flexible wiring, Heat resistance up to 150°C

### Options

Universal socket, USB charging ports

### Weight

0.8Kg



## TECHNICAL SPECIFICATIONS IP 20

- SU Denotes : Universal Socket + USB charging ports
- UO Denotes : USB charging ports only
- SO Denotes : Universal Socket only

BH Code	IMPA No.	Voltage	Power	CCT	Ambient Temp (Ta)	System Lumen
LABL04A2SU	792154	220V - 240V AC	4W	4000K	-20°C ~ +40°C	280lm
LABL04A2UO	-	220V - 240V AC	4W	4000K	-20°C ~ +40°C	280lm
LABL04A2SO	-	220V - 240V AC	4W	4000K	-20°C ~ +40°C	280lm
LABL04A1SU	792153	100V - 120V AC	4W	4000K	-20°C ~ +40°C	280lm
LABL04A1UO	-	100V - 120V AC	4W	4000K	-20°C ~ +40°C	280lm
LABL04A1SO	-	100V - 120V AC	4W	4000K	-20°C ~ +40°C	280lm

Due to our continuous development and product improvement policy, we reserve the rights to revise the specifications of all products without prior notice.



# LED BERTH LIGHT



## BL SERIES

5 years warranty



### Key Features

- Special design polycarbonate diffuser to optimize the LED light transmission
- Slim profile design that is easily mounted to provide illumination performance while using significantly less energy
- Dimmable function with universal socket, USB charging ports
- Long service life of 50,000 hours L70 @ 40°C (Ta)
- Safety, EMC and IEC compliance



### Application

Passageways, Cabins, Lounges, Dining rooms, Accomodation areas

### Mounting Method

2 mounting holes ø5.5mm

### Material

Diffuser: Polycarbonate  
Housing: Galvanized steel, Powder coated white

### Electrical

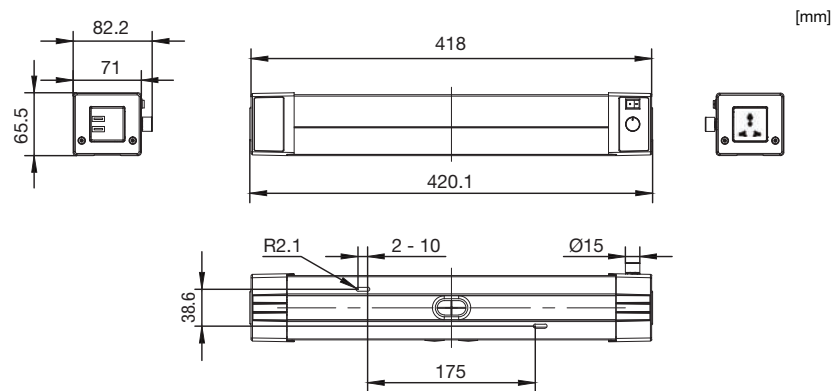
Flexible wiring, Heat resistance up to 150°C

### Options

Universal socket, USB charging ports

### Weight

0.9Kg



## TECHNICAL SPECIFICATIONS



- SU Denotes : Universal Socket + USB charging ports
- UO Denotes : USB charging ports only
- SO Denotes : Universal Socket only

BH Code	IMPA No.	Voltage	Power	CCT	Ambient Temp (Ta)	System Lumen
LABL08A2SU	-	220V - 240V AC	8W	4000K	-20°C ~ +40°C	600lm
LABL08A2UO	-	220V - 240V AC	8W	4000K	-20°C ~ +40°C	600lm
LABL08A2SO	-	220V - 240V AC	8W	4000K	-20°C ~ +40°C	600lm
LABL08A1SU	-	100V - 120V AC	8W	4000K	-20°C ~ +40°C	600lm
LABL08A1UO	-	100V - 120V AC	8W	4000K	-20°C ~ +40°C	600lm
LABL08A1SO	-	100V - 120V AC	8W	4000K	-20°C ~ +40°C	600lm

Due to our continuous development and product improvement policy, we reserve the rights to revise the specifications of all products without prior notice.



# FLEXIBLE LED CHART TABLE LIGHT



## CL55A SERIES

3 years warranty



### Key Features

- 53cm long flexible gooseneck
- High quality CREE XP-G LED light source
- 3-step dimming
- Push-pull focusing lens
- Wall mount or desk mount
- Long LED L70 lifespan of 60,000 hours
- Vibration-resistant
- USB Type-C power input (adaptor included)
- EMC safety compliance to EN 55015, EN 61547, EN 61000-3-2 and EN 61000-3-3 standards

### Applications

Bridge, Cabins

### Materials

Anodized aluminum body

### Protection Class

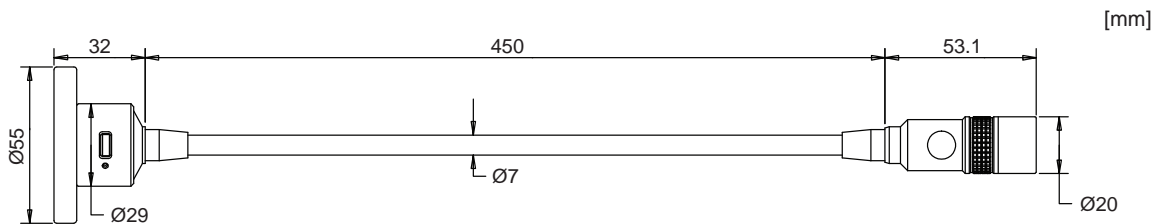
IP20

### Options

With red diffuser

### Weight

0.216Kg



## TECHNICAL SPECIFICATIONS IP 20

BH Code	IMPA No.	Main Voltage	Power	CCT	Ambient Temp (Ta)	System Lumen
LACL55A	792122	100V - 240V AC	2W	6500K	-20°C ~ + 40°C	200lm

### DIMMING SETTINGS

Brightness level	100%	60%	30%
Lumens output	200lm	120lm	60lm

\*Half-press button to toggle dimming levels. Full-press button to turn On/Off.

Due to our continuous development and product improvement policy, we reserve the rights to revise the specifications of all products without prior notice.



# LED L SERIES MODULE



## L SERIES

3 years warranty



LS105

LS305

### Key Features

- Triac dimming compatible (12W and 13W only)
- Complete solution with heat sink, driver and polycarbonate diffuser
- Vibration-resistant
- Alternative to 100W and 300W incandescent bulb
- Energy savings of up to 90% compared to incandescent bulb
- Long service life of 50,000 hours L70 @ 45°C (Ta)
- Safety, EMC and IEC compliance

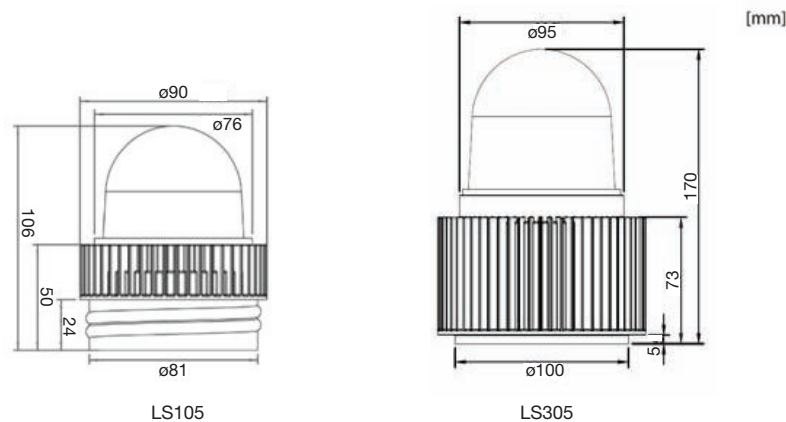
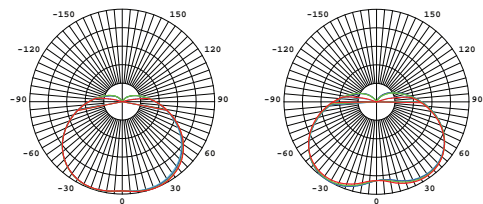


### Applications

Retrofitting for Incandescent and Halogen Lightings

### Materials

Marine grade aluminium alloy with powder coating and polycarbonate diffuser



## TECHNICAL SPECIFICATIONS



BH Code	IMPA No.	Main Voltage	Power	CCT	Beam Angle	Ambient Temp (Ta)	System Lumen
LALS105A2	-	220V - 240V AC	13W	5000K	160°	-40°C ~ +45°C	900lm
LALS105A1	-	100V - 120V AC	12W	5000K	160°	-40°C ~ +45°C	900lm
LALS105D	-	24V DC	10W	5000K	160°	-40°C ~ +45°C	950lm
LALS305AD	-	100V - 240V AC/DC	30W	5000K	180°	-40°C ~ +45°C	2900lm

Also available in other CCT.

Due to our continuous development and product improvement policy, we reserve the rights to revise the specifications of all products without prior notice.



# LED LINEAR MODULE



## LM SERIES

3 years warranty



### Key Features

- Triac dimming compatible
- Build-in high thermal efficient heat sink that allows the LED linear module to operate at ambient temperature of up to 55°C
- Special design polycarbonate diffuser to optimize the LED light transmission
- Long service life of 100,000 hours @ 50°C (Ta)
- Safety, EMC and IEC compliance



### Applications

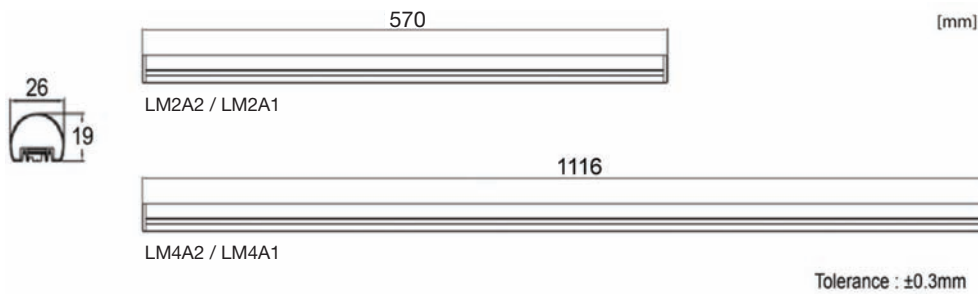
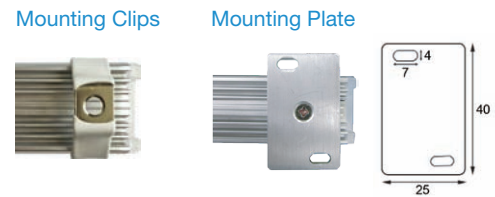
Retrofitting for fluorescent lightings

### Mounting Methods

Mounting Clips or Mounting Plate

### Materials

Diffuser cover: Polycarbonate  
Base plate: Aluminium



## TECHNICAL SPECIFICATIONS



Ideal Replacement: 1 X 18W, 1 X 36W

BH Code	IMPA No.	Main Voltage	Power	CCT	Ambient Temp (Ta)	System Lumen
LMSOP12A225K	791944	220V - 240V AC	12.5W	5000K	-40°C ~ +55°C	1000lm
LMSOP12A223K	-	220V - 240V AC	12.5W	3000K	-40°C ~ +55°C	1000lm
LMSOP12A115K	-	100V - 120V AC	12.5W	5000K	-40°C ~ +55°C	1000lm
LMSOP12A113K	-	100V - 120V AC	12.5W	3000K	-40°C ~ +55°C	1000lm
LMSOP24A225K	791945	220V - 240V AC	24W	5000K	-40°C ~ +55°C	2100lm
LMSOP24A223K	-	220V - 240V AC	24W	3000K	-40°C ~ +55°C	2100lm
LMSOP24A115K	-	100V - 120V AC	24W	5000K	-40°C ~ +55°C	2100lm
LMSOP24A113K	-	100V - 120V AC	24W	3000K	-40°C ~ +55°C	2100lm
LMSOP12D245K	-	24V DC	12.5W	5000K	-40°C ~ +55°C	1000lm
LMSOP24D245K	-	24V DC	24W	5000K	-40°C ~ +55°C	2100lm

Due to our continuous development and product improvement policy, we reserve the rights to revise the specifications of all products without prior notice.



# RECHARGEABLE LED PORTABLE LIGHT TOWER



## WLT140 SERIES



### Key Features

- High performance COB LED with rechargeable lithium ion battery
- 4 adjustable brightness modes
- Ultra long working hours, battery life up to 1000 charges
- Expand or collapse/unfolding within seconds
- Light head freely adjustable
- Compact in size and easy for transportation
- High ingress protection rating
- Safety compliance, RoHS.

### Application

Decks, Marinas, Docks, Ports, Warehouses, Manufacturing, Large open industrial facilities, Outdoor and sport activities

### Protection Class

IP66

### Weight

3.9Kg

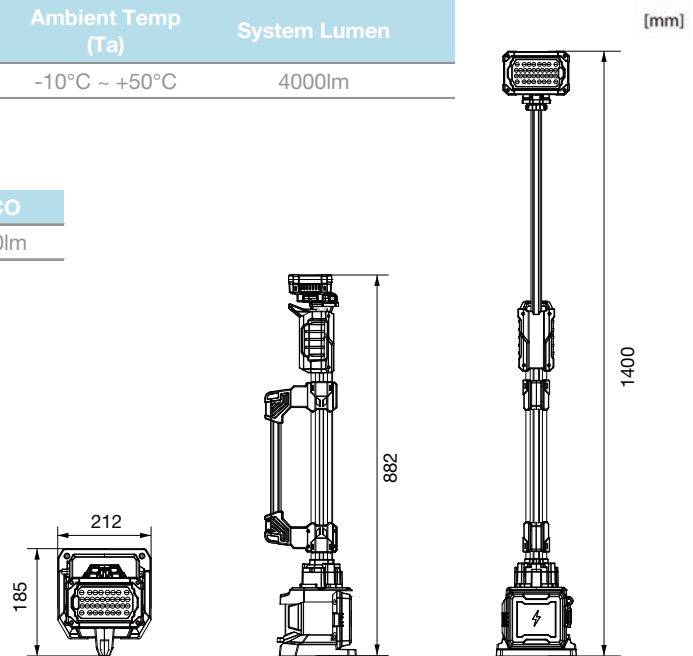
## TECHNICAL SPECIFICATIONS



BH Code	IMPA No.	Main Voltage	Running Time	Ambient Temp (Ta)	System Lumen
LASLWLT140	-	25V DC	>8 hrs	-10°C ~ +50°C	4000lm

### BRIGHTNESS SETTINGS

Brightness mode	Turbo	Standard	Balanced	ECO
Lumens output	4000lm	2500lm	1500lm	450lm



Due to our continuous development and product improvement policy, we reserve the rights to revise the specifications of all products without prior notice.



# RECHARGEABLE LED PORTABLE LIGHT TOWER



## WLT230 SERIES



### Key Features

- High performance COB LED with rechargeable lithium ion battery
- Stepless dimming (AC powered) / 4 adjustable brightness modes (Battery powered)
- Ultra long working hours, battery life up to 1000 charges
- Dual USB outputs for emergency charging of mobile devices
- Expand or collapse/unfolding within seconds
- Light head freely adjustable
- Compact in size and easy for transportation
- High ingress protection rating
- Safety compliance, RoHS.

### Application

Decks, Marinas, Docks, Ports, Warehouses, Manufacturing, Large open industrial facilities, Outdoor and sport activities

### Protection Class

IP66

### Weight

7.2Kg

## TECHNICAL SPECIFICATIONS

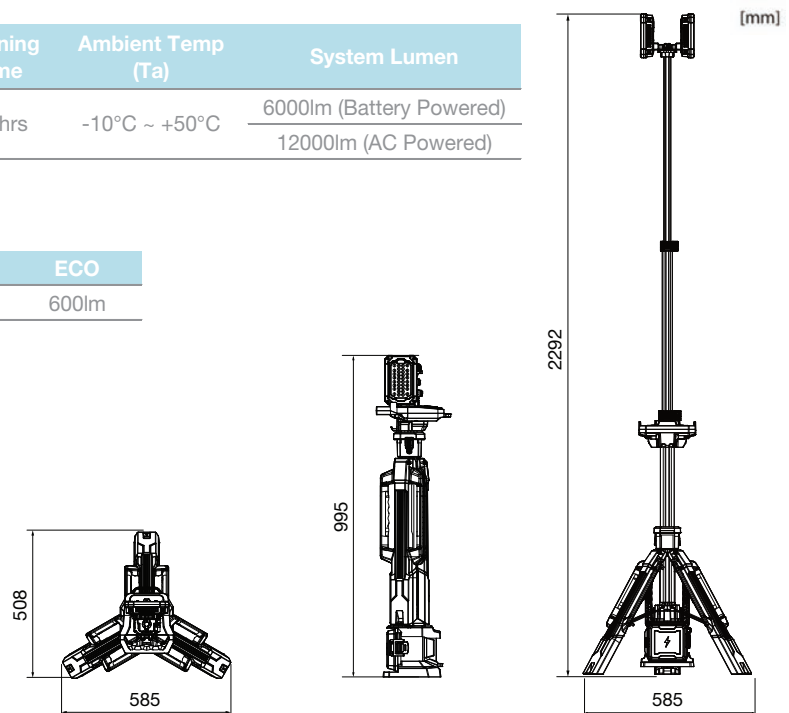


BH Code	IMPA No.	Main Voltage	Running Time	Ambient Temp (Ta)	System Lumen
LASLWLT230	-	25V DC 100V - 277V AC	>8 hrs	-10°C ~ +50°C	6000lm (Battery Powered) 12000lm (AC Powered)

### BRIGHTNESS SETTINGS

Brightness mode	Turbo	Standard	Balanced	ECO
Lumens output	6000lm	3500lm	2200lm	600lm

Lumens output based on battery powered.



Due to our continuous development and product improvement policy, we reserve the rights to revise the specifications of all products without prior notice.



# RECHARGEABLE LED PORTABLE LIGHT TOWER



## WLT310 SERIES



### Key Features

- High performance COB LED with rechargeable lithium ion battery
- Stepless dimming (AC powered) / 4 adjustable brightness modes (Battery powered)
- Ultra long working hours, battery life up to 1000 charges
- Dual USB outputs for emergency charging of mobile devices
- Expand or collapse/unfolding within seconds
- Light head freely adjustable
- Compact in size and easy for transportation
- High ingress protection rating
- Safety compliance, RoHS.

### Application

Decks, Marinas, Docks, Ports, Warehouses, Manufacturing, Large open industrial facilities, Outdoor and sport activities

### Protection Class

IP66

### Weight

9.1Kg

## TECHNICAL SPECIFICATIONS

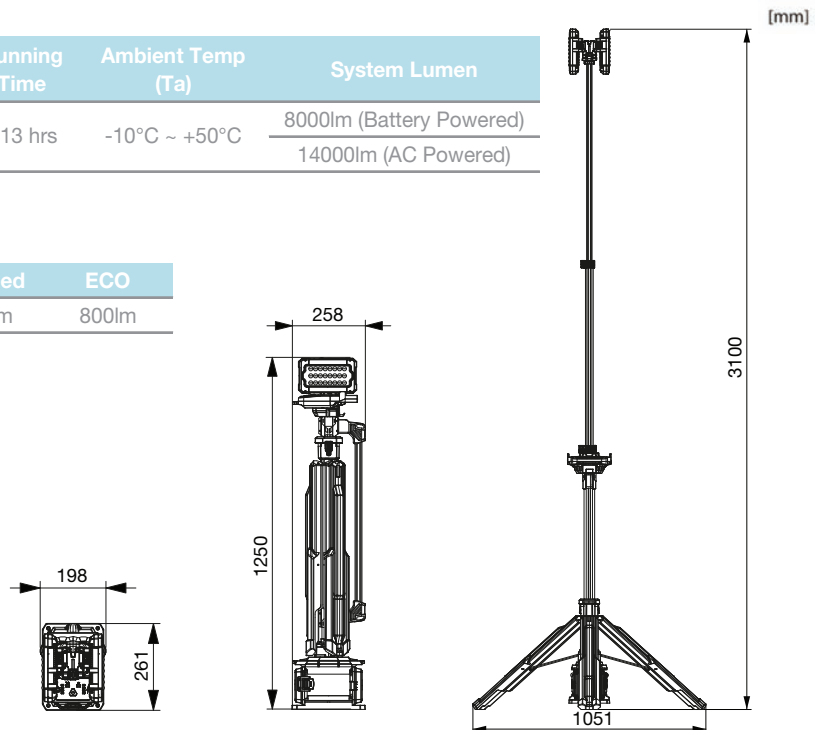


BH Code	IMPA No.	Main Voltage	Running Time	Ambient Temp (Ta)	System Lumen
LASLWLT310	-	25V DC 100V - 277V AC	>13 hrs	-10°C ~ +50°C	8000lm (Battery Powered) 14000lm (AC Powered)

### BRIGHTNESS SETTINGS

Brightness mode	Turbo	Standard	Balanced	ECO
Lumens output	8000lm	5000lm	3000lm	800lm

Lumens output based on battery powered.



Due to our continuous development and product improvement policy, we reserve the rights to revise the specifications of all products without prior notice.



# RECHARGEABLE LED PORTABLE WORK LIGHT



## WPS360 SERIES



### Key Features

- High performance COB LED with rechargeable lithium ion battery
- 4 adjustable brightness modes
- Ultra long working hours, battery life up to 1000 charges
- 360° illuminate
- Ultra-lightweight
- High ingress protection rating
- Safety compliance, RoHS.

### Application

Decks, Marinas, Docks, Ports, Warehouses, Manufacturing, Large open industrial facilities

### Protection Class

IP66

### Weight

2.9Kg

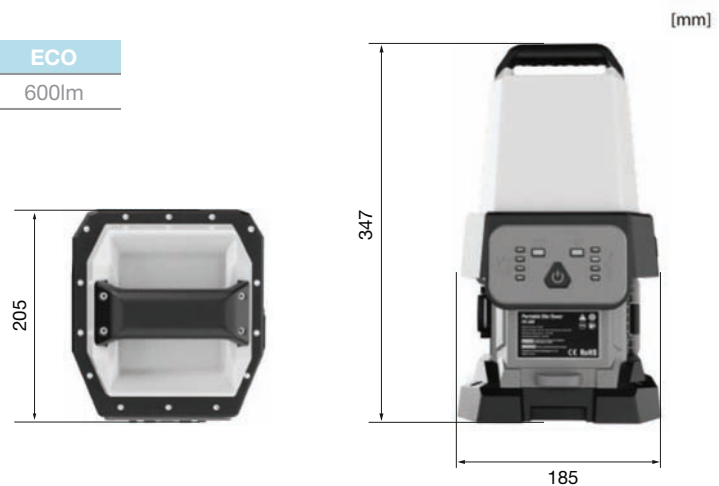
## TECHNICAL SPECIFICATIONS

IP 66

BH Code	IMPA No.	Main Voltage	Running Time	Ambient Temp (Ta)	System Lumen
LASLWPS360	-	25V DC	>8 hrs	-10°C ~ +50°C	6000lm

### BRIGHTNESS SETTINGS

Brightness mode	Turbo	Standard	Balanced	ECO
Lumens output	6000lm	3500lm	2200lm	600lm



Due to our continuous development and product improvement policy, we reserve the rights to revise the specifications of all products without prior notice.



# RECHARGEABLE LED REMOTE CONTROLLED PAN-TILT LIGHT



## WPT360 SERIES



### Key Features

- High performance COB LED with rechargeable lithium ion battery
- 3 adjustable brightness modes
- 3 selectable beam angle (distance/mid-range/close range)
- Ultra long working hours, battery life up to 1000 charges
- Up to 30m remote range with effortless and efficient illumination
- All directional rotation (360° horizontal & 180° vertical)
- USB output for emergency charging of mobile devices
- Magnetic base for easy mounting
- High ingress protection rating
- Safety compliance, RoHS.

### Application

Decks, Marinas, Docks, Ports, Warehouses, Manufacturing, Large open industrial facilities, Low visibility areas

### Protection Class

IP66

### Weight

5.3Kg

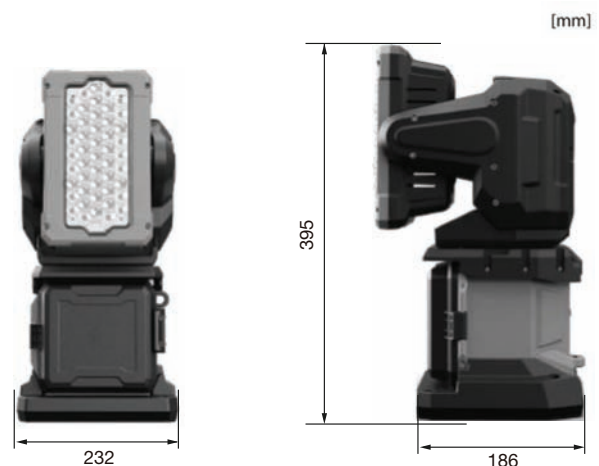
## TECHNICAL SPECIFICATIONS



BH Code	IMPA No.	Main Voltage	Running Time	Ambient Temp (Ta)	System Lumen
LASLWPT360	-	25V DC	>4 hrs	-10°C ~ +50°C	12000lm

### BRIGHTNESS SETTINGS

Brightness mode	Turbo	Standard	ECO
Lumens output	12000lm	6500lm	1200lm



Due to our continuous development and product improvement policy, we reserve the rights to revise the specifications of all products without prior notice.

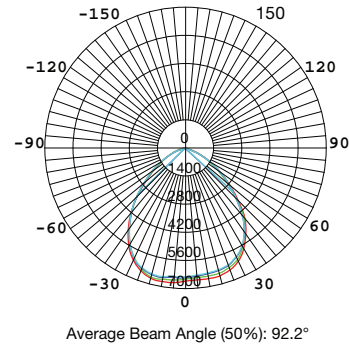


# LED HIGH BAY



## LHB SERIES

3 years warranty



### Key Features

- High performance LED chips and driver
- Clear polycarbonate lens with no risk of lamp breaking for safe industry applications
- Optimized aluminum alloy housing design for superior thermal management
- Long service life of >50,000 hours @ L70 lumen maintenance
- Instant light up with no warm up time. No cool down needed before restart
- High mechanical impact resistance and ingress protection rating
- Compact in size and easy for transportation
- Safety compliance, RoHS.

### Application

Warehouses, Manufacturing, Large open industrial facilities

### Mounting Method

Suspending

### Material

Housing: Aluminium alloy  
Lens: Polycarbonate

### Options

Safety rope  
1-10V Dimming  
Microwave sensor  
Adjustable mounting bracket  
Aluminum Reflector

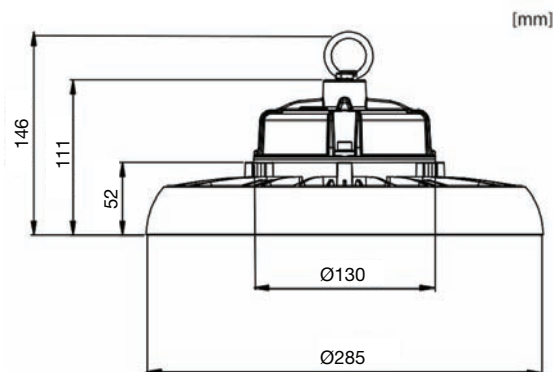
### Weight

2.0Kg

## TECHNICAL SPECIFICATIONS



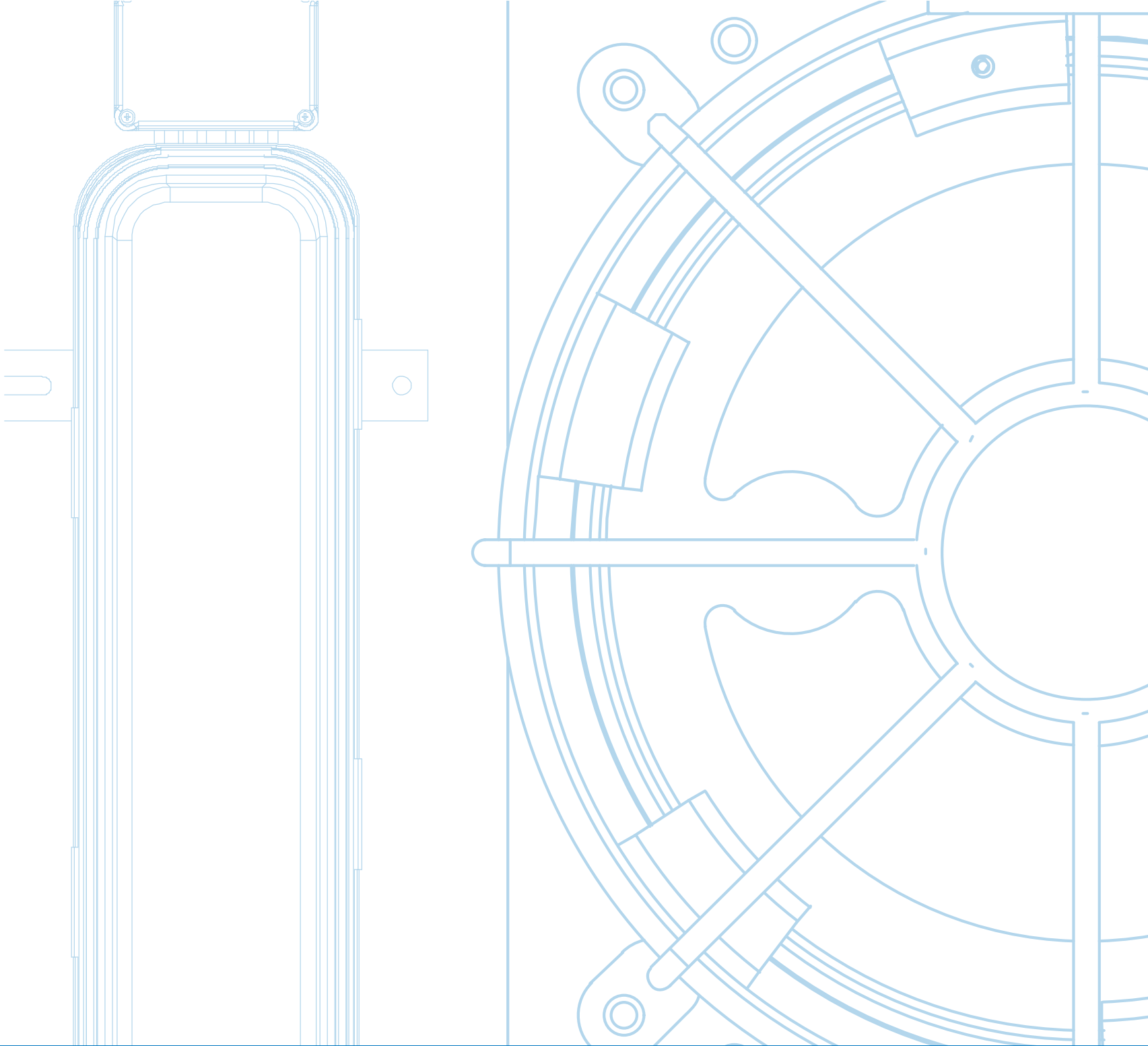
BH Code	IMPA No.	Main Voltage	Power	CCT	Beam Angle	Ambient Temp (Ta)	System Lumen
LALHB1509A34	792015	85V - 265V AC	150W	6000K - 6500K	90°	-30°C ~ +50°C	22500lm



Due to our continuous development and product improvement policy, we reserve the rights to revise the specifications of all products without prior notice.







## SOPEX INNOVATIONS PTE LTD

10 Penjuru Lane, Singapore 609189  
Tel: +65 6291 4444 Fax: +65 6291 5777  
Email: info@sop-led.com  
sop-led.com



Due to our continuous development and product improvement policy, we reserve the rights to revise the specifications of all products without prior notice.

### Main Distributor:

BENGHUI MARINE ELECTRICAL PTE LTD (Singapore)  
sales@benghui.com

### Overseas Distributors:

MAC MARINE S.R.L (Italy)  
info@marinecomponents.it

OMNISENSE SYSTEMS USA INC (USA)  
enquiries@omnisense-systems.com

IMATECH BV (Netherlands)  
sales@imatech.nl

INSPECIT INC. (Phillipines)  
support.inspectit@inspectit.com

DREAM MARINE SHIP SPARE PARTS  
TRADING LLC (Dubai)  
info@dreammarinedubai.com

EJ ELECTRICAL ENGINEERING  
CONTRACTORS (Australia)  
mail@ejelectrical.com.au

SANSHIN ELECTRIC CORPORATION (Japan)  
kusagaya@sanshin-electric.co.jp